

LA SQUADRA
eis vitrinen



BELLA
our beauty



BELLA
our beauty



Bella convinces by her beauty.

The curved frontpanel and frontglass, her perfect proportions, the inclination of tubs and the strong LED illumination enables perfect visibility of Gelato.

Bella überzeugt durch ihre Schönheit.

Die runde Front, ihre perfekten Proportionen sowie die Neigung der Eisbehälter und die starke LED-Beleuchtung ermöglicht die beste Sicht auf das Speiseeis.



MARISA

our star



MARISA

our star



Every detail of **MARISA** is carefully wrought.
The perfect combination :
Practical classic with modern design.

Jede Einzelheit von **MARISA** sind genau durchdacht.
Die perfekte Kombination :
Praktischer Klassiker mit modernem Design.

Perfect product visibility
through perfect inclination of gelato tubs.
Optimale Sicht auf das Speiseeis
durch perfekte Neigung der Eisbehälter.





LUXURY
our elegance

LUXURY
our elegance



Translation of attractive design and modern technology :
our most luxurious cabinet **LUXURY**

Übersetzung von attraktivem Design und Technologie :
unsere neue luxuriöse Vitrine **LUXURY**.

Inclination of the front goes over from glass to panel.
Special sideglasses are making from Luxury
a design furniture with perfect visibility on gelato.

Vordere Neigung geht vom Glas zum Paneel über.
Spezielseitenglas macht aus Luxury
ein Designmöbelstück mit perfekter Sicht auf Gelato.





LA SQUADRA

SELECTA
our selection

SELECTA
our selection



Selection of your and our experience :
our perfect cabinet **SELECTA**

Selektion von Ihrer und unserer Erfahrungen :
Unsere perfekte Vitrine **SELECTA**

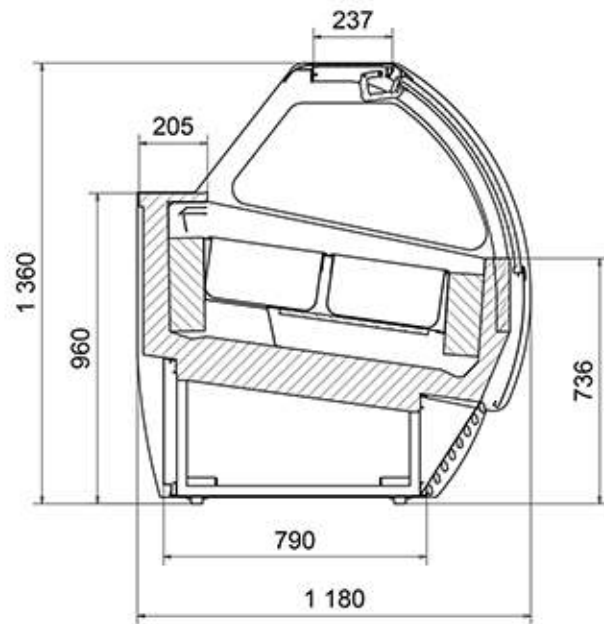
Perfect visibility on gelato with perfect
measures for working.

Perfekte Sicht auf Gelato mit perfekten
Abmessungen zum Arbeiten.



TECHNICAL SPECIFICATIONS

BELLA



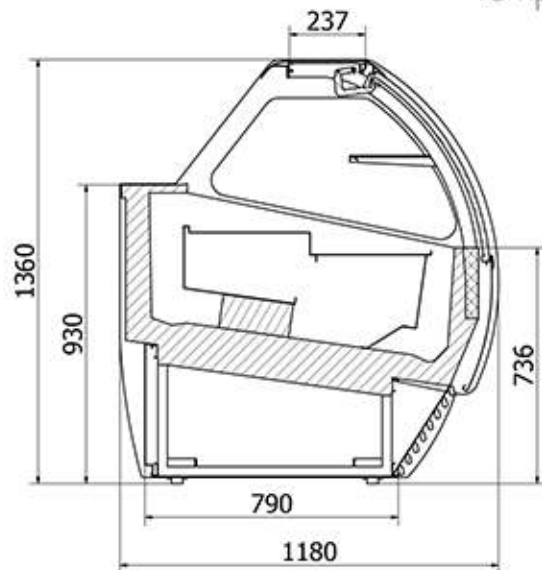
BELLA 12 G
ICE CREAM CABINET

BELLA 16 G
ICE CREAM CABINET

BELLA 20 G
ICE CREAM CABINET

BELLA 24 G
ICE CREAM CABINET

Size	1180 x 1180 x 1360 mm l x d x h	1506 x 1180 x 1360 mm l x d x h	1830 x 1180 x 1360 mm l x d x h	2205 x 1180 x 1360 mm l x d x h
Number of ice cream bins	12 360X165 mm	8 360X250 mm	16 360X165 mm	10 360X250 mm
Power supply	400 V / 3 / 50Hz			
Total power	2100 W	2600 W	2900 W	3360 W
Total power of defrosting	2400 W	3000 W	3430 W	4080 W
Compressor power	1100 W	1450 W	1600 W	1860 W
Net weight	270 kg	310 kg	370 kg	440 kg
Refrigerant	R 452A			
Temperature	-10 C° / -22 C°			



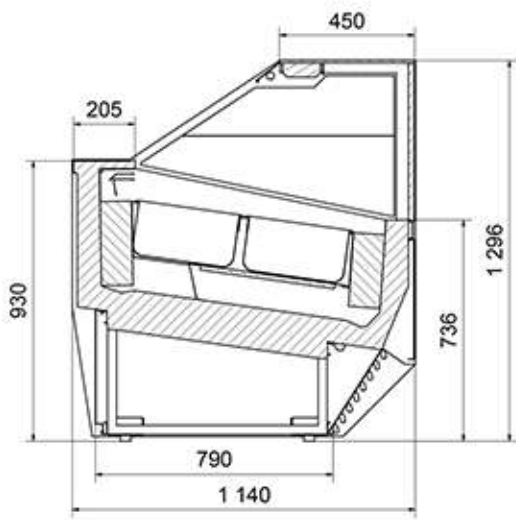
BELLA 12 P
PASTRY CABINET

BELLA 16 P
PASTRY CABINET

BELLA 20 P
PASTRY CABINET

BELLA 24 P
PASTRY CABINET

Size	1180 x 1180 x 1360 mm l x d x h	1506 x 1180 x 1360 mm l x d x h	1830 x 1180 x 1360 mm l x d x h	2205 x 1180 x 1360 mm l x d x h
Power supply	230 V / 1 / 50Hz			
Total power	1000 W	1100 W	1210 W	1320 W
Net weight	250 kg	300 kg	370 kg	420 kg
Refrigerant	R 134A			
Temperature	+4 C° / +8 C°			

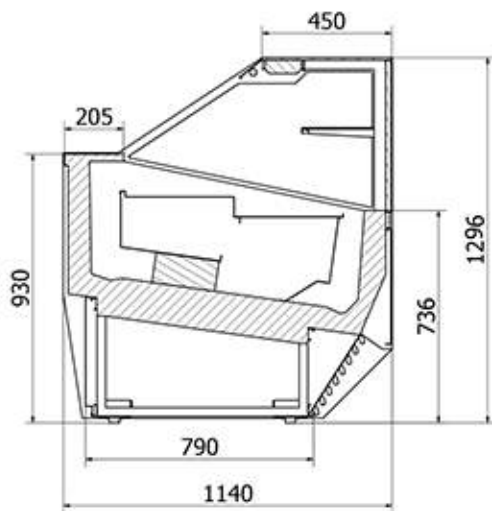


TECHNICAL SPECIFICATIONS

MARISA

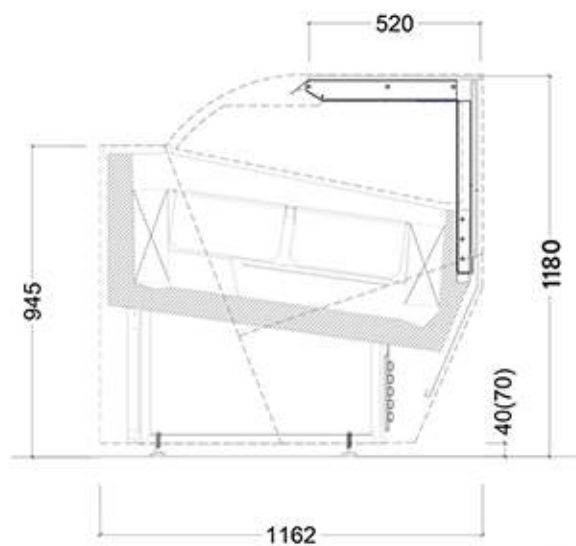
MARISA 12 G ICE CREAM CABINET MARISA 16 G ICE CREAM CABINET MARISA 20 G ICE CREAM CABINET MARISA 24 G ICE CREAM CABINET MARISA 28 G ICE CREAM CABINET MARISA 32 G ICE CREAM CABINET

Size	1175 x 1150 x 1290 mm	1506 x 1150 x 1290 mm	1830 x 1150 x 1290 mm	2205 x 1150 x 1290 mm	2530 x 1150 x 1290 mm	2960 x 1150 x 1290 mm
Number of ice cream bins	12 360X165 mm 360X250mm	16 360X165 mm 360X250mm	20 360X165 mm 360X250mm	24 360X165 mm 360X250mm	28 360X165 mm 360X250mm	32 360X165 mm 360X250mm
Power supply	400 V / 3 / 50Hz	400 V / 3 / 50Hz	400 V / 3 / 50Hz	400 V / 3 / 50Hz	400 V / 3 / 50Hz	400 V / 3 / 50Hz
Total power	2100 W	2600 W	2900 W	3360 W	3780 W	3780 W
Total power of defrosting	2400 W	3000 W	3430 W	4080 W	4580 W	4780 W
Compressor power	1100 W	1450 W	1600 W	1860 W	2060 W	2240 W
Net weight	270 kg	310 kg	370 kg	440 kg	500 kg	560 kg
Refrigerant	R 452A					
Temperature	-10 C / -22°C					
Climate class	35 C / RH % 70					



MARISA 12 P PASTRY CABINET MARISA 16 P PASTRY CABINET MARISA 20 P PASTRY CABINET MARISA 24 P PASTRY CABINET

Size	1175 x 1150 x 1290 mm	1506 x 1150 x 1290 mm	1830 x 1150 x 1290 mm	2205 x 1180 x 1360 mm
Power supply	230 V / 1 / 50Hz	230 V / 1 / 50Hz	230 V / 1 / 50Hz	230 V / 1 / 50Hz
Total power	1000 W	1100 W	1210 W	1320 W
Net weight	230 kg	280 kg	350 kg	400 kg
Refrigerant	R134A			
Temperature range	+4 C / +8°C			

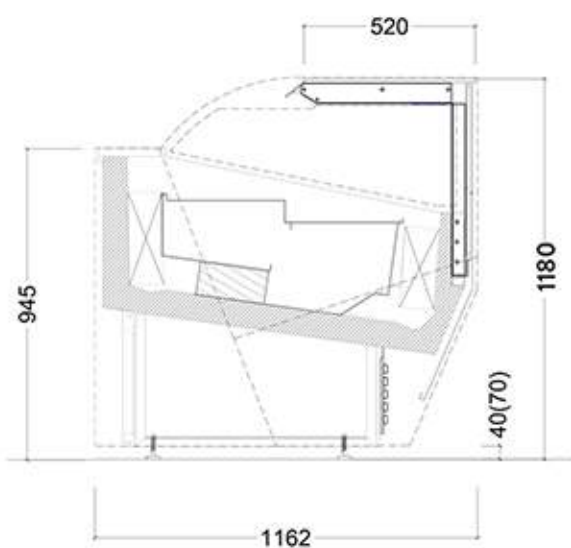


TECHNICAL SPECIFICATIONS

SELECTA

SELECTA 12 G ICE CREAM CABINET SELECTA 16 G ICE CREAM CABINET SELECTA 20 G ICE CREAM CABINET SELECTA 24 G ICE CREAM CABINET SELECTA 28 G ICE CREAM CABINET SELECTA 32 G ICE CREAM CABINET

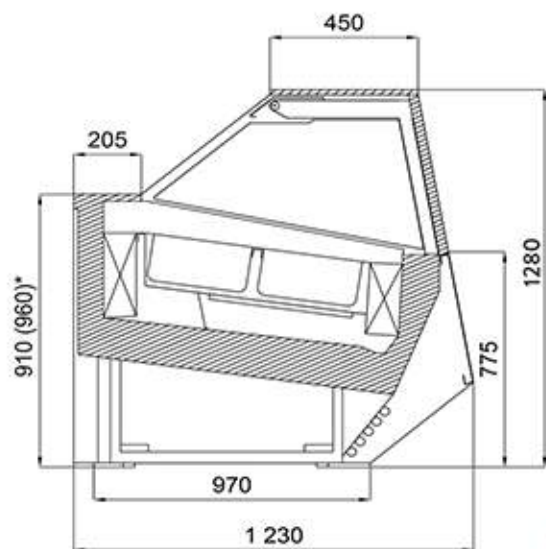
	1175 x 1160 x 1180 mm Size l x d x h	1506 x 1160 x 1180 mm Size l x d x h	1830 x 1160 x 1180 mm Size l x d x h	2205 x 1160 x 1180 mm Size l x d x h	2530 x 1160 x 1180 mm Size l x d x h	2960 x 1160 x 1180 mm Size l x d x h
Number of ice cream bins	12 360X165 mm 8 360X250 mm	16 360X165 mm 10 360X250 mm	20 360X165 mm 12 360X250 mm	24 360X165 mm 16 360X250 mm	28 360X165 mm 18 360X250 mm	32 360X165 mm 22 360X250 mm
Power supply	400 V / 3 / 50Hz					
Total power	2100 W	2600 W	3000 W	3420 W	3780 W	3780 W
Total power of defrosting	2400 W	3000 W	3430 W	4080 W	4580 W	4780 W
Compressor power	1100 W	1450 W	1600 W	1860 W	2060 W	2240 W
Net weight	270 kg	310 kg	370 kg	440 kg	500 kg	560 kg
Refrigerant	R 452A					
Temperature	-10 C / -22°C					
Climate class	35 C / RH % 70					



	1175 x 1160 x 1180 mm Size l x d x h	1506 x 1160 x 1180 mm Size l x d x h	1830 x 1160 x 1180 mm Size l x d x h	2205 x 1160 x 1180 mm Size l x d x h
	SELECTA 12 P PASTRY CABINET	SELECTA 16 P PASTRY CABINET	SELECTA 20 P PASTRY CABINET	SELECTA 24 P PASTRY CABINET
Power supply	230 V / 1 / 50Hz			
Total power	1000 W	1100 W	1210 W	1320 W
Net weight	230 kg	280 kg	350 kg	400 kg
Refrigerant	R134A			
Temperature range	+4 C / +8°C			

TECHNICAL SPECIFICATIONS

LUXURY



LUXURY 12 G
ICE CREAM CABINET

LUXURY 16 G
ICE CREAM CABINET

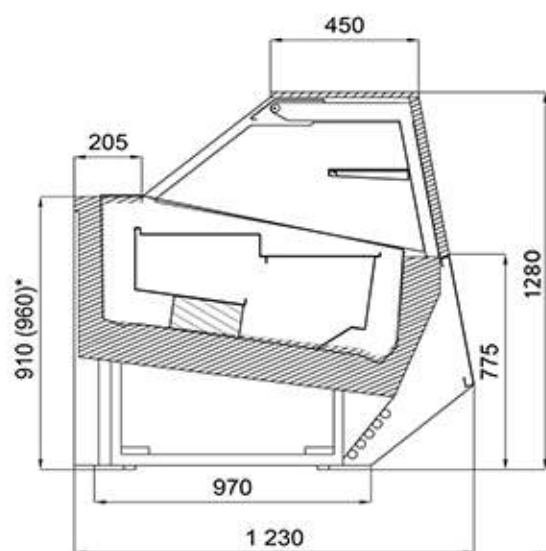
LUXURY 20 G
ICE CREAM CABINET

LUXURY 24 G
ICE CREAM CABINET

LUXURY 28 G
ICE CREAM CABINET

Size
Number of ice cream bins
Power supply
Total power
Total power of defrosting
Compressor power
Net weight
Refrigerant
Temperature
Climate class

Size	1178 x 1230 x 1280 mm l x d x h	1509 x 1230 x 1280 mm l x d x h	1833 x 1230 x 1280 mm l x d x h	2208 x 1230 x 1280 mm l x d x h	2533 x 1230 x 1280 mm l x d x h
Number of ice cream bins	12 x 8 360X165 mm 360X250mm	16 x 10 360X165 mm 360X250mm	20 x 12 360X165 mm 360X250mm	24 x 16 360X165 mm 360X250mm	28 x 18 360X165 mm 360X250mm
Power supply	400 V / 3 / 50Hz				
Total power	2100 W	2600 W	2900 W	3360 W	3780 W
Total power of defrosting	2400 W	3000 W	3430 W	4080 W	4580 W
Compressor power	1100 W	1450 W	1600 W	1860 W	2060 W
Net weight	270 kg	310 kg	370 kg	440 kg	500 kg
Refrigerant	R 452A				
Temperature	-10°C / -22°C				
Climate class	35 C / RH % 70				



LUXURY 12 P
PASTRY CABINET

LUXURY 16 P
PASTRY CABINET

LUXURY 20 P
PASTRY CABINET

LUXURY 24 P
PASTRY CABINET

Size	1178 x 1230 x 1280 mm l x d x h	1509 x 1230 x 1280 mm l x d x h	1833 x 1230 x 1280 mm l x d x h	2208 x 1150 x 1280 mm l x d x h
Power supply	230 V / 1 / 50Hz			
Total power	1000 W	1100 W	1210 W	1320 W
Net weight	230 kg	280 kg	350 kg	400 kg
Refrigerant	R134A			
Temperature range	+4 C / +8°C			



Low inclination enables a perfect view of gelato

Schräge Ausstellfläche und Perfekte Sicht auf das Gelato.



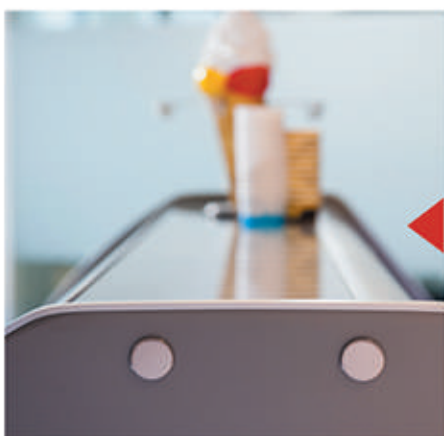
Curtain Rollo

Closing with curtain in the back.
Hinten mit Rollo schliessbar.



Heated and airtight double glasses
Beheizt, doppelte Isoliergläser

Hydraulically openable.
Hydraulisch aufklappbar.



Wide top
Breite Ablagefläche

Enough space on the smooth top.
Genug Platz auf der oberen glatten Fläche.

Tough, Reliable, Trendy

Big hills of gelato

Linear air flow on hills of gelato.
Lineare Luftströmung ermöglicht
grosse Eisberge.



Refrigeration Kühlung

Strong ventilated refrigeration
through large, coated and double
evaporators.
Starke Umluftkühlung durch grosse,
beschichtete und doppelte Verdampfer.



Easy clean

Easy clean lid for condenser.
Easy clean Deckel für den Verflüssiger.



Compressor Defrosting

Semi - Seal dorin compressor
with automatic.
Reverse cycle defrosting system.
Semihermetischer Dorin Kompressor
mit automatischer Abtaugung
mittels Umkehrventil.



Stabil, Verlässlich, Trendy

PASTRY CABINETS

KUCHENVITRINEN

Our pastry cabinets have the same design like gelato cabinets.
All front and side glasses are double and airchambered.
Slow ventilation through a big evaporator enables high level of moisture inside of the cabinet.

Unsere Kuchenvitrinen haben die selbe Design wie die Eisvitrinen.
Alle Front- und Seitengäser sind doppelt und isoliert.
Langsame Umluftkühlung durch einen großen Verdampfer ermöglicht
eine relativ hohe Luftfeuchtigkeit im inneren der Vitrine.

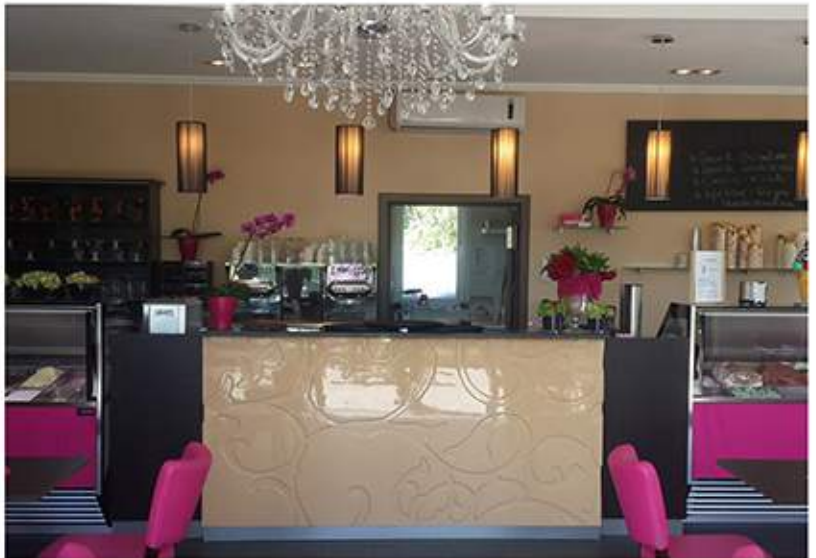


GLOBAL

You can find our cabinets in 52 countries worldwide.

Sie können unsere Eisvitrinen in 52 Länder weltweit finden.











Shopfittings Ladenbau

LA SQUADRA
e i s v i t r i n e n



LEDRA, s.r.o.

Headquarters:

Ledra s.r.o.
Farská 42
949 01 Nitra
Slovakia

Factory:

Ledra s.r.o.
Hlavná 1246
951 35 Veľké Zálužie
Slovakia



Tel: +49 174 454 63 08
+ 421 915 752 882
+ 421 905 403 478

E-Mail: sales@lasquadra.de

www.lasquadra.de