

J 7 EXTRA R290 (COD. E1420M2800)



Negative - static scooping display cabinet

Technical data

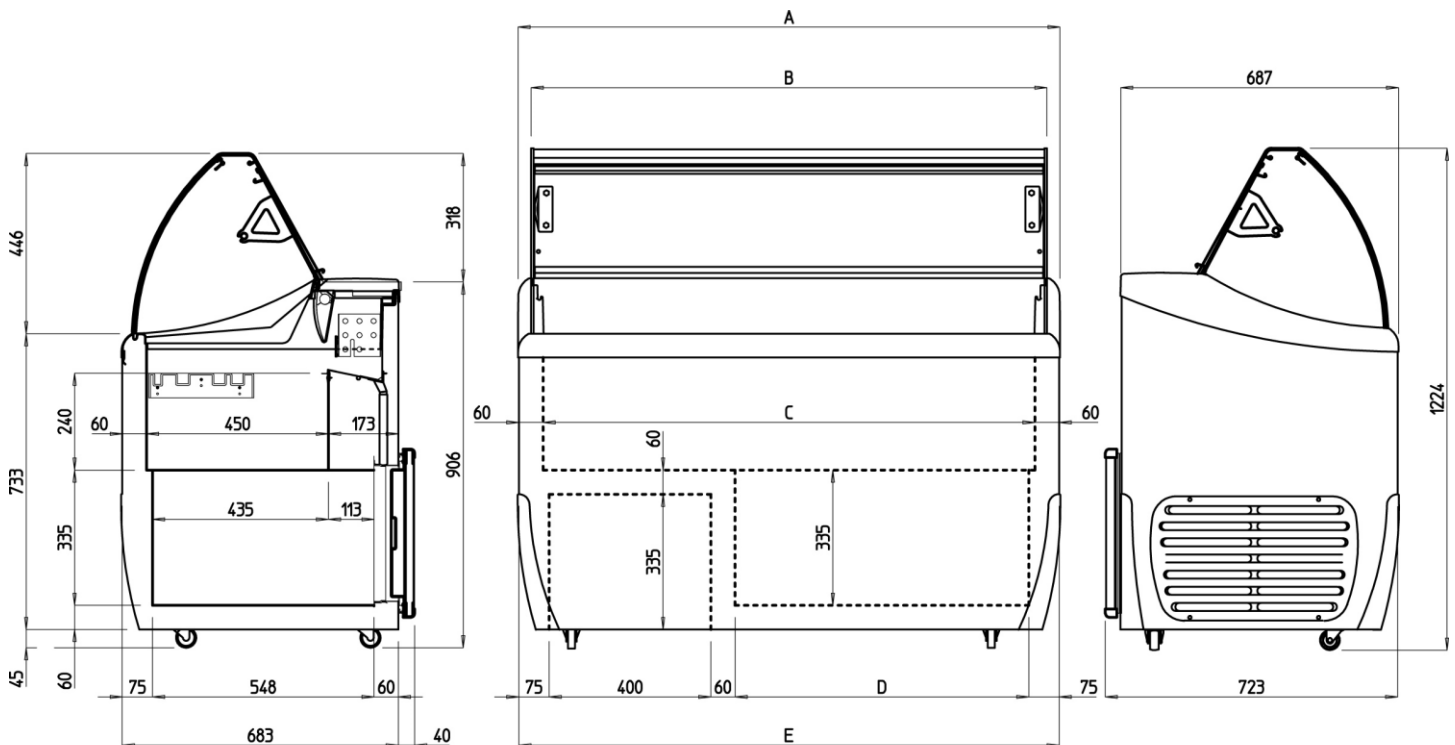
Temperature	-15°C -20°C
Voltage and Frequency	230 V~ 50 Hz
Gas	R290
Net dimension	1341 x 723 x 1253 mm (l x p x h)
Packed dimension	1420 x 760 x 1310 mm (l x p x h)
Gross capacity	317 l
Net capacity	264 l
Gross weight	119.00 Kg
Net weight	98.00 Kg
Heat insulation	Rigid polyurethane foam "HCFC/CFC/HFC" free
External cabinet	White plasticised steel sheet
Inner tank	White plasticised steel sheet
Frame	Grey plastic
Glass	Insulating Upper curved glazed cabinet
Side grid - colour	Grey plastic
Back grid - colour	White plasticised steel rod
Compressor	1- HP
absorbed power	500 W
Power consumption (24h)	7,75 kWh/24h
Condensator	Wire and tube - maintenance free with powered fan
Condenser motor-fan	10 W - Fan D.200x23°
Evaporator	Static packed evaporation system (with defrosting resistance) + evaporator coil foamed on the walls
Climatic class	4 (30°C-55%RH) L1
Plug	European - Angular Plug
Thermometer/Thermostat	Electronic
Defrosting	Automatic
Standard equipment	Separate reserve accessible via a door - 4 wheels - internal LED light with switch
Optional	Stainless steel containers - Portions-washing - basket
Brand	FRAMEC
Producer	Mondial Framec

J 7 EXTRA R290 (COD. E1420M2800)



Layout

Negative - static scooping display cabinet



QUOTA	J 7 EXTRA	J 9 EXTRA
A	1341	1656
B	1278	1593
C	1217	1532
D	727	1042
E	1337	1652

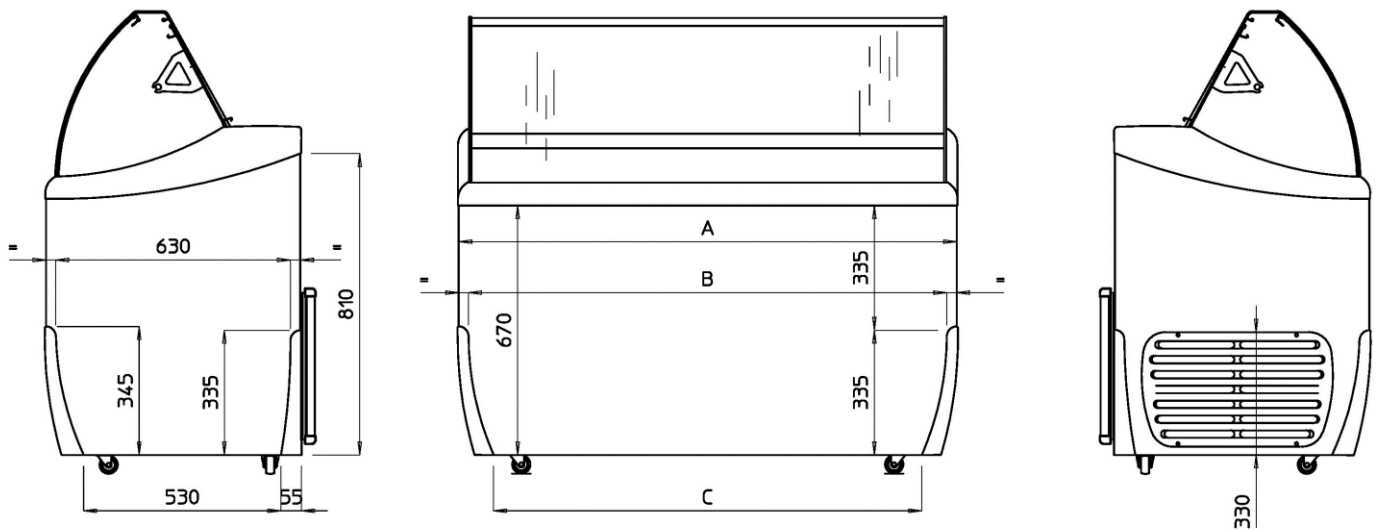
J 7-9 EXTRA
S_41634 - 30/07/2010

J 7 EXTRA R290 (COD. E1420M2800)



Layout

Negative - static scooping display cabinet



QUOTA	J 7 EXTRA	J 9 EXTRA
A	1337	1652
B	1284	1599
C	1150	1465

J 7 - 9

PARTI A VISTA - CUSTOMIZABLE AREA

S_44001 - 00