

MINI CREAM 3V LED R600 (COD. E1938S0100)



display

Technical data

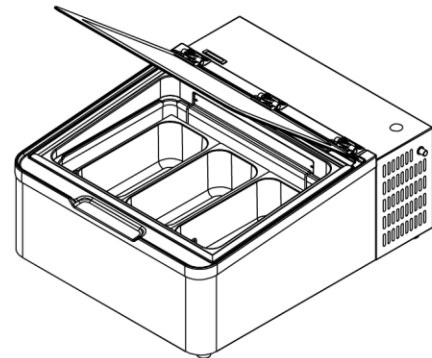
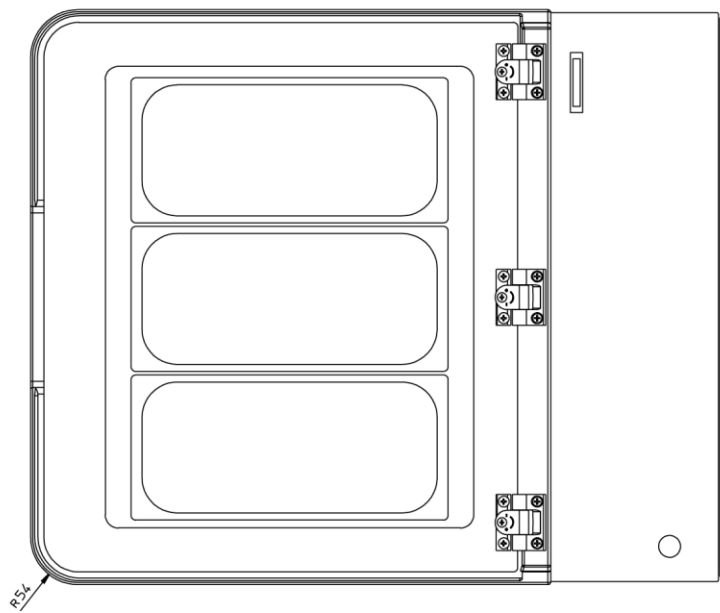
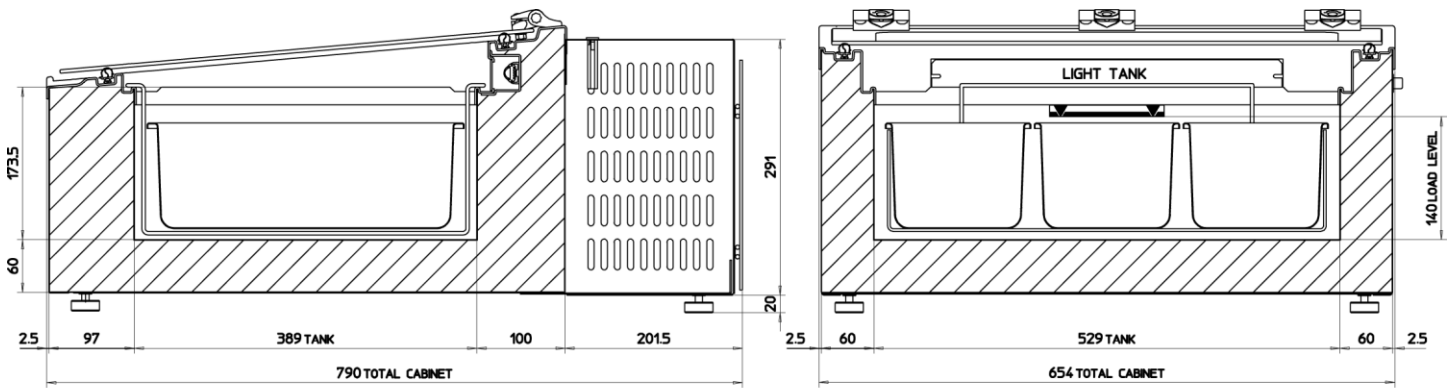
Temperature	-10°C -22°C
Voltage and Frequency	230 V~ 50 Hz
Gas	R600a
Net dimension	654 x 790 x 345 mm (l x p x h)
Packed dimension	755 x 890 x 375 mm (l x p x h)
Gross capacity	35 l
Net capacity	29 l
Gross weight	36.00 Kg
Net weight	32.00 Kg
Heat insulation	Rigid polyurethane foam "HCFC/CFC/HFC" free
External cabinet	White prepainted steel sheet
Cabinet bottom	Galvanized steel sheet
Inner tank	Stainless steel - AISI 304 BA
Light tank	Internal light LED
Frame	White thermoformed plastic
Top	Low emissivity glass
Back grid - colour	White plasticised steel rod
Compressor	1/6 HP
absorbed power	95 W
Power consumption (24h)	1,8 kWh/24h
Condensator	Wire and tube - maintenance free with powered fan
Evaporator	Static evaporator wrapping the tank
Defrosting	Manual
Climatic class	4 (30°C-55%RH) L1
Plug	European - Angular Plug
Thermometer	Mechanical
Thermostat	Mechanical
Standard equipment	Basket for stainless steel bins 5-2,5 lt
Optional	Stainless steel bins - Light box kit
Brand	MONDIAL FRAMEC
Producer brand	MONDIAL FRAMEC

MINI CREAM 3V LED R600 (COD. E1938S0100)

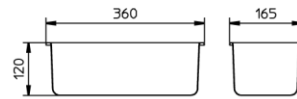


display

Layout



MINI CREAM 3V
S_46280 - 00



BINS DIMENSION 360 X 165 X 120 SP.0.8 mm