

SLANT 510 ICE R290 (COD. E4373M0000)



Negative - static scooping display cabinet

Technical data

Temperature	-15°C -20°C
Voltage and Frequency	230 V~ 50 Hz
Gas	R290
Net dimension	1341 x 725 x 1235 mm (l x p x h)
Packed dimension	1385 x 730 x 1020 mm (l x p x h)
Packed dimension (disassembled glass canopy)	1385 x 730 x 1020 mm (w x d x h)
Gross capacity	431 l
Net capacity	342 l
Net capacity (storage)	140 dm ³
Gross weight	112.00 Kg
Net weight	103.00 Kg
Heat insulation	Rigid polyurethane foam "HCFC/CFC/HFC" free
External cabinet	White prepainted steel sheet
Inner tank	White prepainted non-toxic steel sheet
Frame	Heated printed plastic
Glass canopy	Upper plate glazed cabinet
Glasses	Plate sliding
Frontal grid - colour	White plastic
Back grid - colour	White plasticised steel rod
Compressor	1/4 HP
absorbed power	360 W
Condensator	Wire and tube - maintenance free with powered fan
Evaporator	wrapping the tank
Defrosting	Manual
Climatic class	4 (30°C-55%RH) L1
Plug	European - Angular Plug
Thermometer	Mechanical
Thermostat	Mechanical
Light	Horizontal light led
Quantity of 5 liters stainless steel containers (not included)	10 for displaying ice cream and 12 in the reserve
Standard equipment	Internal light - wheels - storage - basket
Optional	Stainless steel containers - Portions-washing
Packaging	Polystyrene + wood + film pack
Brand	MONDIAL
Producer	Mondial Framec

The manufacturer will reserve the right to make any modification without prior notice.

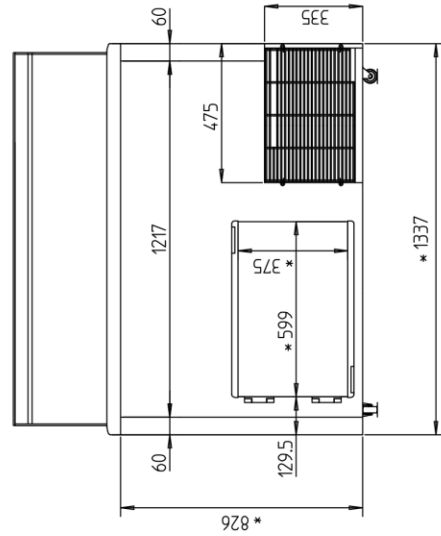
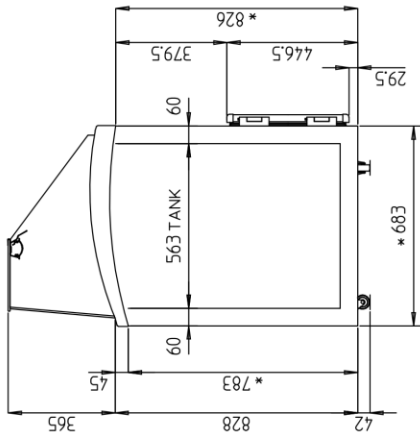
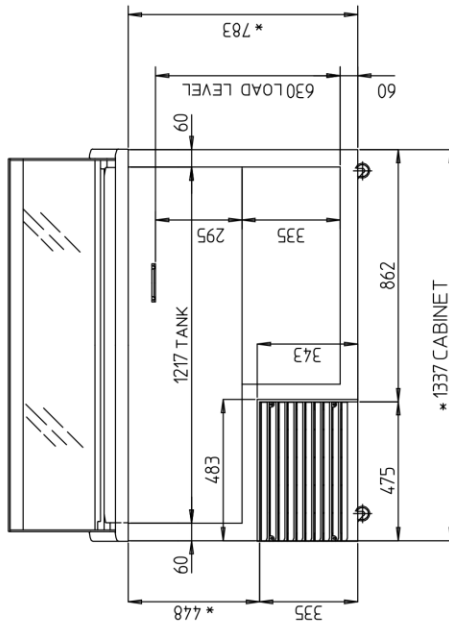
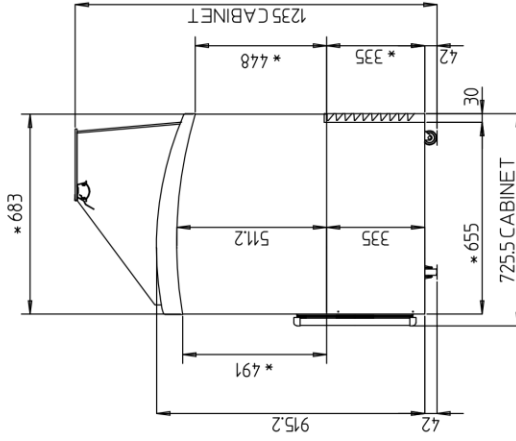
Updated on
21/12/2018

SLANT 510 ICE R290 (COD. E4373M0000)



Negative - static scooping display cabinet

Layout



SLANT 510 ICE

S_406669 - 01

* CUSTOMIZATION AREA