



CB 640 HC

LIST OF THE EXPLODED VIEWS



SHELL ASSY CB 640A HC / CB640W HC

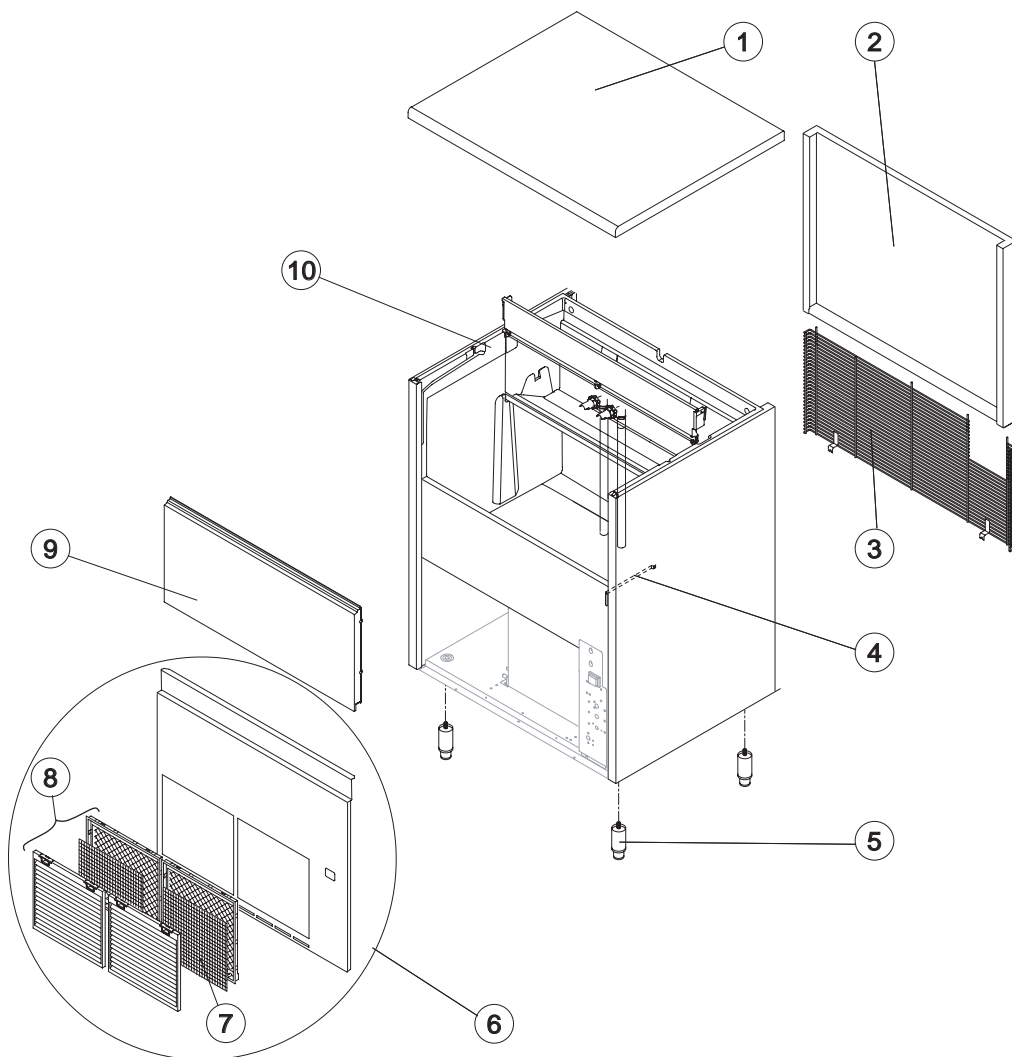
SHELL ASSY CB 640A HC Drain Pump

COOLING SYSTEM

HYDRAULIC CIRCUIT CB 640A HC / CB640W HC

HYDRAULIC CIRCUIT CB 640A HC Drain Pump

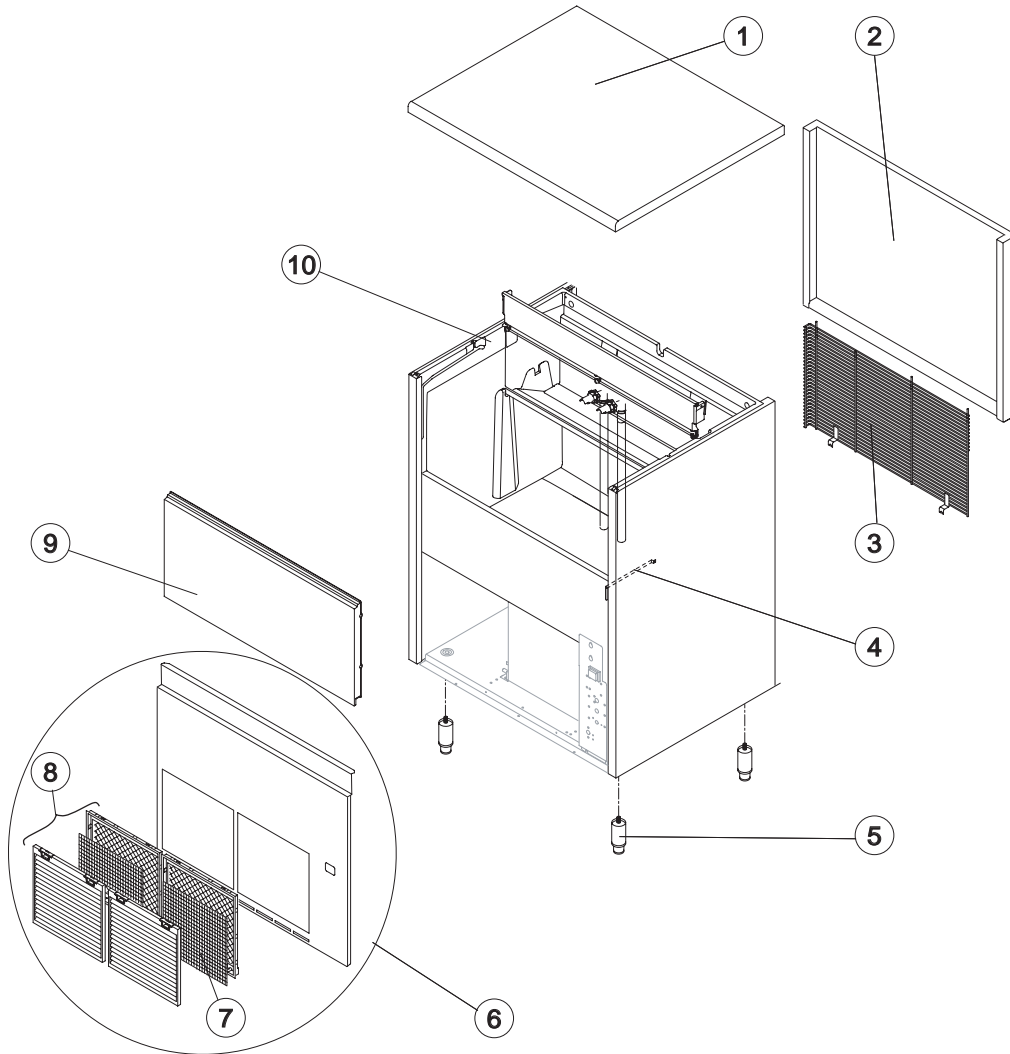
ELECTRIC PARTS



Ref.	Spare Description	Code	
1	Top Assembly	C22673	
2	Rear Panel Assembly	C21184	
3	Rear Grid	D12015	
4	Bulb-holder Pipe	20521	
5	Adjustable Foot	20613	
6	Front Grid Panel	Current Version	C221807
6	Front Grid Panel	Till s/n. 886704	C22509
7*	Filtering Panel		18106
8	Frame + Grid & Filter		C10205
9	Door Assembly		C10275
10	Foamed Cabinet Assy		See Table

Ref. 10 - Foamed Cabinet Assy

Condensation	Code
Air	C11009A
Water	C11009W



Ref.	Spare Description	Code	
1	Top Assembly	C22673	
2	Rear Panel Assembly	C21184	
3	Rear Grid	D12133	
4	ulb-holder Pipe	20521	
5	Adjustable Foot	20613	
6	Front Grid Panel	Current Version	C221807
6	Front Grid Panel	Till s/n. 886704	C22509
7*	Filtering Panel		18106
8	Frame + Grid & Filter		C10205
9	Door Assembly		C10275
10	Foamed Cabinet Assy		C11009DP

Rev. 01 - 11/04/2018



CB 640A HC / CB 640W HC / CB640A HC DP

Common Parts

Ref.	Spare Description	Code
1	Compressor	231252
2*	Molecular Drier	141003
6	Sucking Fan	10213
7	Hub for the Fan Fixing	10014
8	Evaporator	See Table
9	Evaporator Cover Panel	10448
10*	Hot Gas Valve Body	231294
11*	Hot Gas Valve Coil	201129
12	Suctin Line	for the spare parts code give us the s/n.

Parts for Air Cooled Version Only

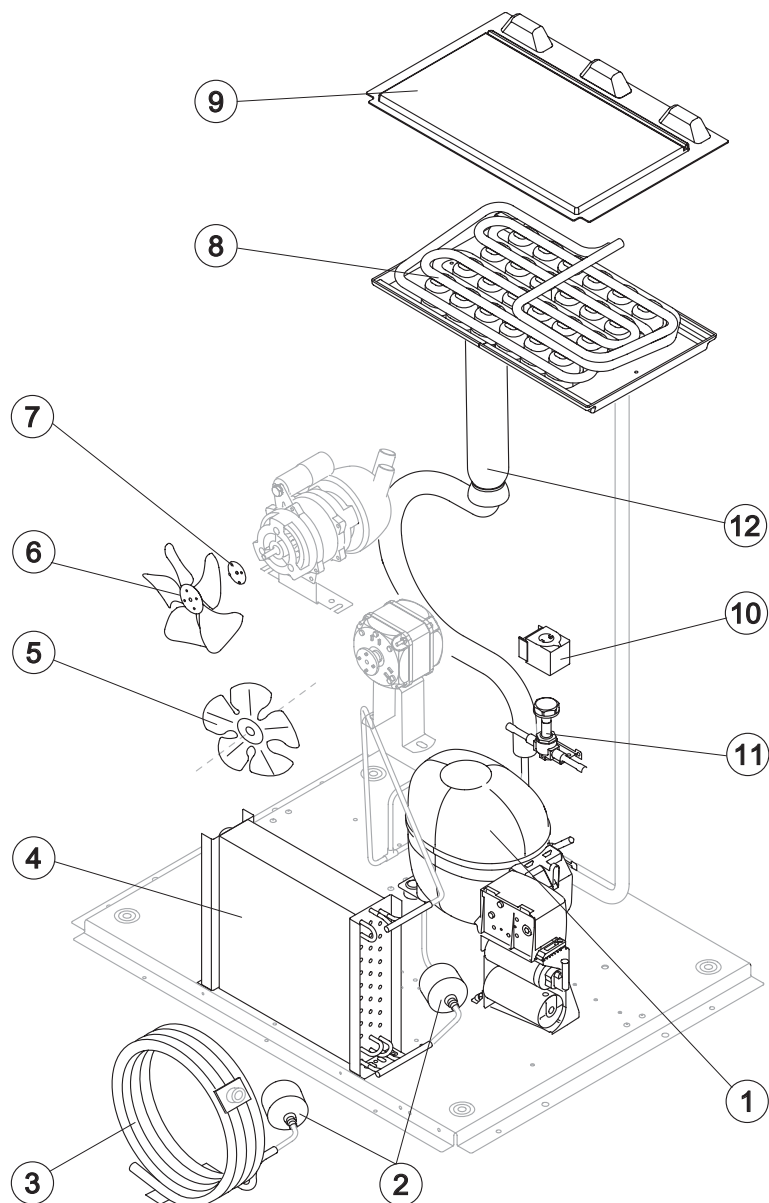
Ref.	Spare Description	Code
4	Air Condenser	Current Version 201222
4	Air Condenser	Till s/n. 875159 201145
5	Sucking Fan	20031

Parts for Wayer Cooled Version Only

Ref.	Spare Description	Code
3	Water Condenser	14374

Ref. 8 - Evaporator

Kind of Cube	Code
18 g. (Standard)	D10047
33 g.	D10090
42 g.	D10480

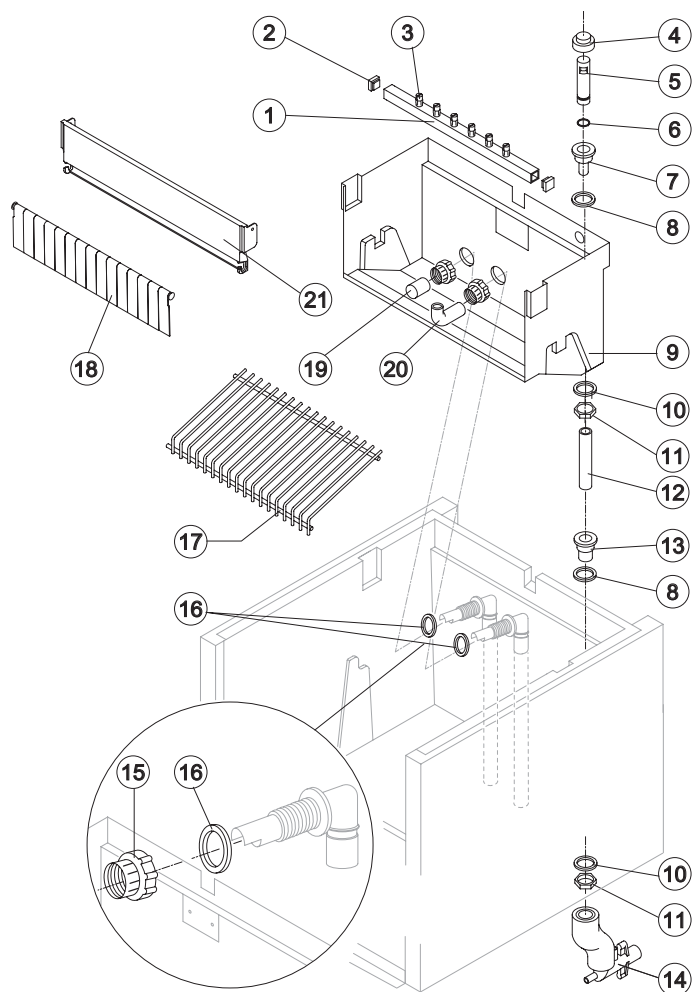




CB 640 HC

HYDRAULIC CIRCUIT

CB 640A HC / CB 640W HC



Common Parts

Ref.	Spare Description	Code
1*	Sprayers Bar Assembly	See Table
2	Sprayer Bar Plug	10012
3	Sprayer	D20002
4*	Overflow Cap	10305
5*	Overflow Pipe	10133
6*	OR Gasket for Overflow Pipe	20233
7	Overflow pipe nipple	10471
8	Silicone Gasket	13006
9	Inner Basin	10034
10	Semirigid Polyethylene Gasket	13007
11	Bin Discharge Nut	10096
12*	Overflow Pipe	13109
13	Water Outlet Nipple	10472
15	Fittings Locking Ring	10405
16	Gasket for Pump Suction/Delivery Pipes	13143
17	Ice Cubes Slide	See Table
18	Rod with Flags	C10775
19*	Pump Suction Filter	20005
20	Sprayers Feeding Pipe	13005
21	Flags ABS Support	10760

Ref. 1* - Sprayers Bar Assy

Kind of Cube	Code
18 g. (Standard)	C20058
33 g.	C20156
42 g.	C20802

Ref. 17 - Ice Cubes Slide

Kind of Cube	Code
18 g. (Standard)	D12017
33 g.	D12031
42 g.	D12071

Parts for Air Cooled Version Only

Ref.	Spare Description	Code
14	Discharges Manifold	C10006

Parts for Water Cooled Version Only

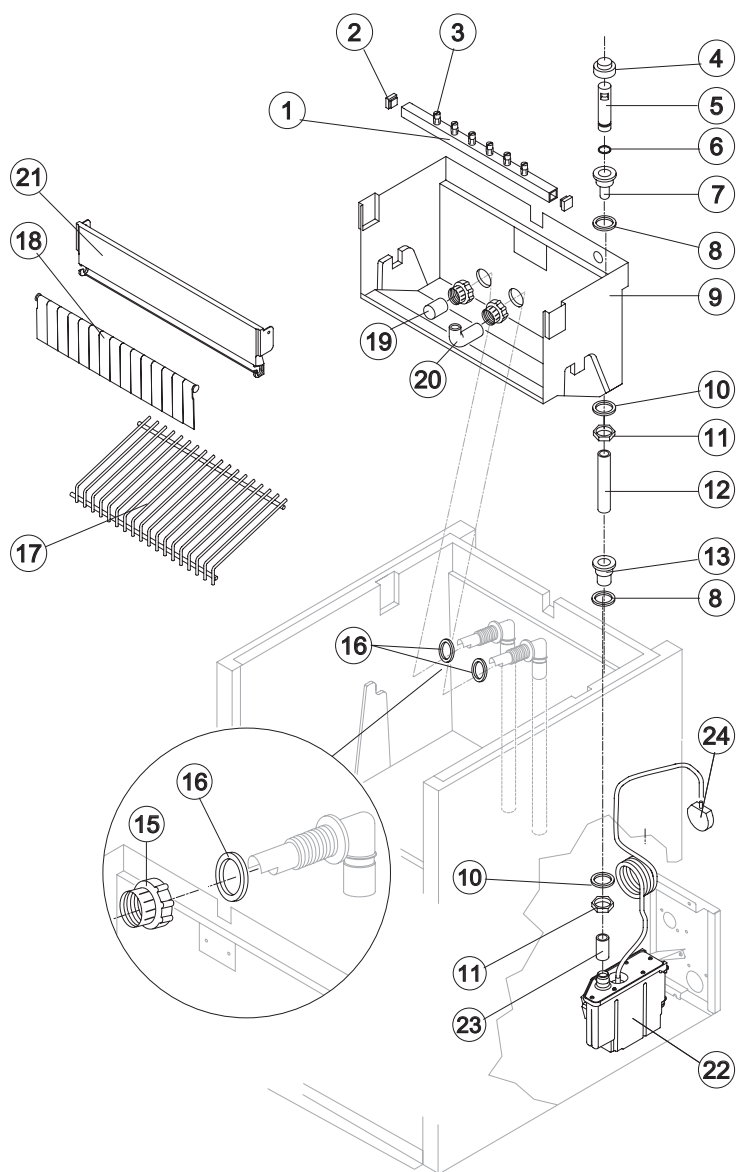
Ref.	Spare Description	Code
14	Discharges Manifold	C26452



CB 640 HC

HYDRAULIC CIRCUIT

CB 640A HC DP



Rif.	Descrizione Ricambio	Codice
1*	Sprayers Bar Assembly	See Table
2	Sprayer Bar Plug	10012
3	Sprayer	D20002
4*	Overflow Cap	10305
5*	Overflow Pipe	10133
6*	OR Gasket for Overflow Pipe	20233
7	Overflow pipe nipple	10471
8	Silicone Gasket	13006
9	Inner Basin	10034
10	Semirigid Polyethylene Gasket	13007
11	Bin Discharge Nut	10096
12*	Overflow Pipe	13109
13	Water Outlet Nipple	10472
15	Fittings Locking Ring	10405
16	Gasket for Pump Suction/Delivery Pipes	13143
17	Ice Cubes Slide	See Table
18	Rod with Flags	C10775
19*	Pump Suction Filter	20005
20	Sprayers Feeding Pipe	13005
21	Flags ABS Support	10760
22	Drain Pump	C231225
23	Bin Discharge-Drain Pump Connection	C13175190
24	Drain Pump Pressure Switch	C231230

Ref. 1* - Sprayers Bar Assy

Kind of Cube	Code
18 g. (Standard)	C20058
42 g.	C20802

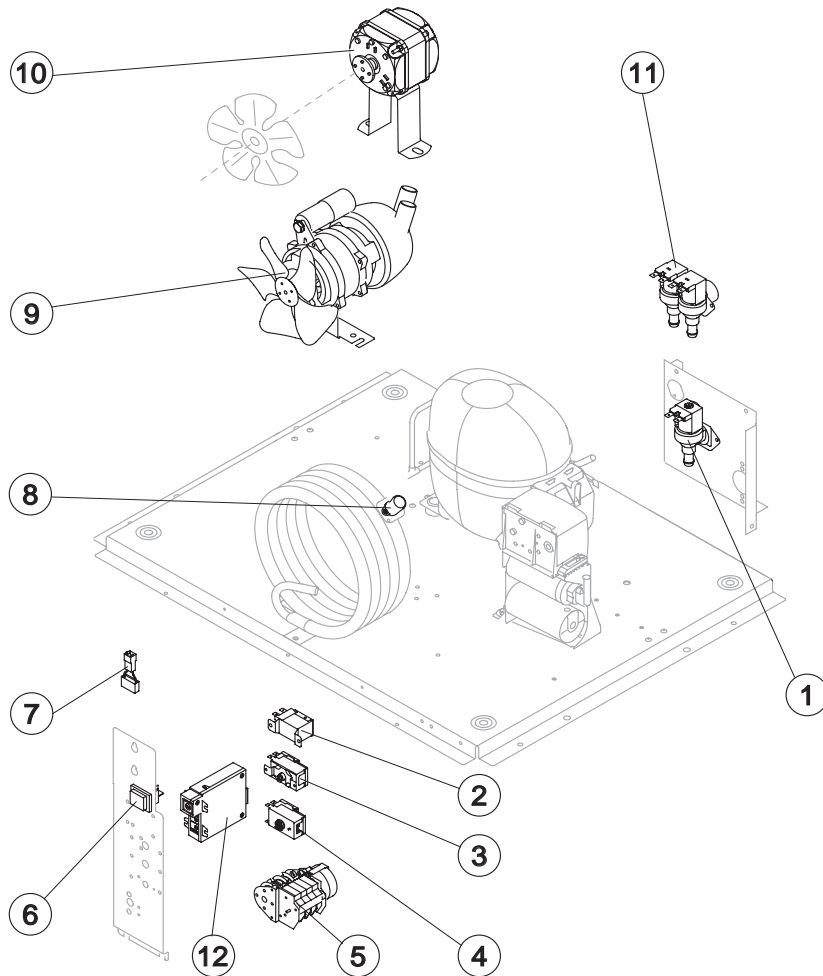
Ref. 17 - Ice Cubes Slide

Kind of Cube	Code
18 g. (Standard)	D12017
42 g.	D12071

Rev. 01 - 11/04/2018



CB 640A HC / CB 640W HC / CB640A HC DP



Common Parts

Ref.	Spare Description	Code	
2*	Fan cycle switch	231123	
3*	Bin Thermostat	R23005	
4*	Evaporator Thermostat	R23591	
5*	Timer	Till s/n. 886704	See Table
6*	Green Light Switch (On-Off)	Till s/n. 886704	23327
9*	Pump Assy		RC23377
12	Electronic Timer / On-Off (AWS)	Current Version	R231154

Parts for Air Cooled Version Only

Ref.	Spare Description	Code
1*	1 Way- Water Inlet Valve	23001
7	Anti Radio Interference Filter	C23459
10*	Fan Motor	23067

Parts for Wayer Cooled Version Only

Ref.	Spare Description	Code
7	Anti Radio Interference Filter	C23457
8*	Safety Thermostat	C23114
11*	2 Ways Water Inlet Valve	23010

Ref. 5* - Timer - Till s/n. 886704

Voltage	18g Cube	33g Cube	42g Cube
T11	23222	23248	23780