

Self-contained ice maker - Vertical evaporator system Daily production up to 120 kg

Hotel	████████████████████
Restaurant	████████████████████
Fast food	████████████████████
Bar	████████████████████
Disco	████████████████████
Fish market	████████████████████
Supermarket	████████████████████
Medical & SPA	████████████████████
Industry	████████████████████

► Position n°



► Features & Plus

- Single and crystal cube
- AISI 304 SS Scotch Brite finish
- Tropical class +43°C
- Adjustable Stainless Steel feet
- Removable and cleanable air filter
- Cleanable antiscaling filter
- Air or water cooling system
- Easy cleanable internal rounded surface
- HCFC-Free insulated storage
- RoHS Free
- Disappearing insulated door
- Electromechanical operation
- ON-OFF rocker switch
- Standard and special voltages



Single and crystal cube



AISI 304 SS Scotch Brite finish



Adjustable Stainless Steel feet



Removable and cleanable air filter

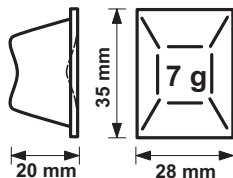


Cleanable antiscaling filter



Disappearing insulated door

► Available ice cube size

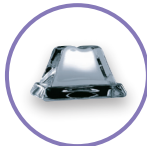


► Prod. 24h

°C	Air temp.		Water temp.		kg	lbs
	10° C	50° F	7° C	45° F		
		21° C	70° F	15° C	60° F	105

► Certifications available for this model



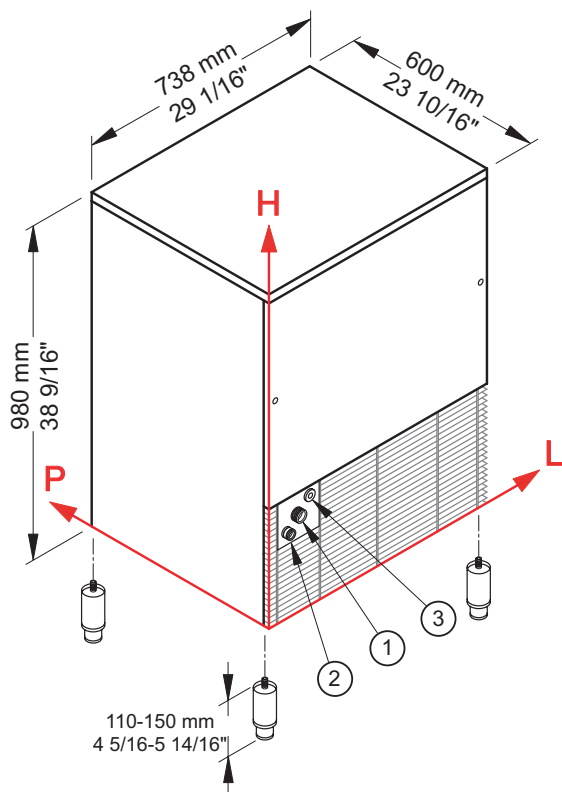


Fast Ice

VB 250



Self-contained ice maker - Vertical evaporator system Daily production up to 120 kg



► Working conditions

- Location: **Indoor**

	Min	Max
Ambient temperature	+10° C / +50° F	+43° C / 110° F
Water temperature	+3° C / +37° F	+32° C / +90° F
Voltage	-10%	+10%
Water inlet pressure	1bar (14 psi)	6bar (84 psi)

► Performances

	Water temperature						
		7° C	45° F	15° C	60° F	21° C	70° F
Air temperature	10° C	120 kg					
	50° F		265 lbs				
	21° C			105 kg			
	70° F				231 lbs		
	32° C					90 kg	
	90° F						198 lbs

► Connections

All measures are referred to the rear bottom-left corner (L-H-Ø)

- ① Water in.: 116 mm / 4 9/16" - 245 mm / 9 10/16" - 3/4" ② Water out.: 54 mm / 2 2/16" - 200 mm / 7 14/16" - 24 mm / 15/16"
- ③ Electrical connections: 161 mm / 6 5/16" - 281 mm / 11 1/16"

► Technical information

Production in 24h	105 kg / 231 lbs
Store capacity, up to	35 kg / 77 lbs
Cooling system	A - W
Kind of cube	7g
Refrigerant	R404A - R452A
Standard voltage	220-240 V ~ 50 Hz
Average power consumption	850 W
Fuse	10 A
Finish	AISI 304 stainless steel, scotch brite

Water consumption	A: 2,5 l/kg - 29,9 gal/100 lbs
	W: 14,2 l/kg - 170,2 gal/100 lbs
Sizes (L-P-H mm)	738 - 600 - 980
(L-P-H in)	29 1/16 - 23 10/16 - 38 9/16
Sizes with pack (L-P-H mm)	780 - 640 - 1140
(L-P-H in)	30 11/16 - 25 3/16 - 44 14/16
Net weight	75 kg / 165 lbs
Gross weight	85 kg / 187 lbs

All the technical information must be considered at the following conditions:

- Sizes without feet
- Standard Cube (7 g)
- Ambient temperature +21° C
- Water temperature +15° C
- Average power consumption at +43° C (standard voltage)
- Refrigerant R404A

Models and specifications are subject to change without notice

Rev. 03 - Issued May 2018



www.bremaice.it
info@bremaice.it

Bim + Data
download

