

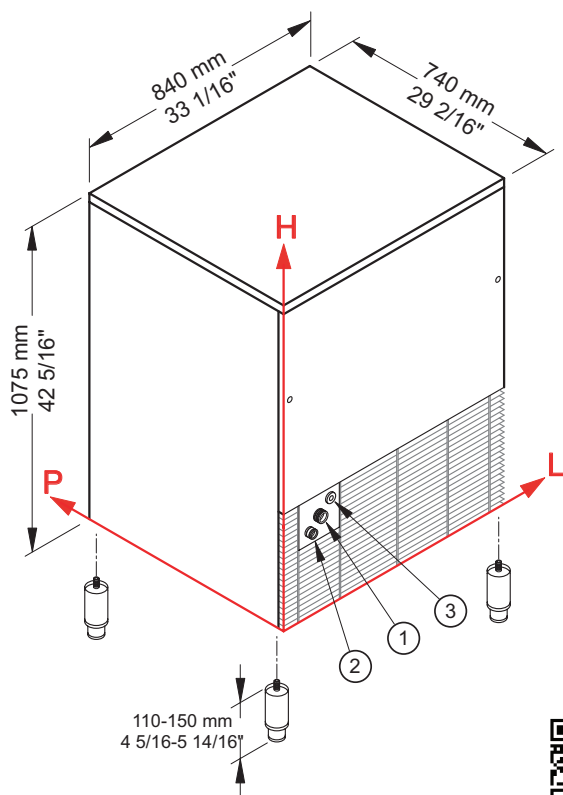


Ice Cube

CB 1265 HC



Undercounter ice maker up to 138 kg - Sprayer system



► Working conditions

- Location: **Indoor**

| | Min | Max |
|----------------------|-----------------|-----------------|
| Ambient temperature | +10° C / +50° F | +43° C / 110° F |
| Water temperature | +3° C / +37° F | +32° C / +90° F |
| Voltage | -10% | +10% |
| Water inlet pressure | 1bar (14 psi) | 6bar (84 psi) |

► Performances

| | Air temperature | Water temperature | | | | | |
|--|-----------------|-------------------|--------|--------|--------|--------|--------|
| | | 7° C | 45° F | 15° C | 60° F | 21° C | 70° F |
| | 10° C | 138 kg | | | | | |
| | 50° F | | 304 lb | | | | |
| | 21° C | | | 134 kg | | | |
| | 70° F | | | | 295 lb | | |
| | 32° C | | | | | 122 kg | |
| | 90° F | | | | | | 267 lb |

► Connections

All measures are referred to the rear bottom-left corner (L-H-Ø)

- ① Water in.: 141 mm / 5 9/16" - 290 mm / 11 7/16" - 3/4" ② Water out.: 79 mm / 3 2/16" - 245 mm / 9 10/16" - 24 mm / 15/16"
- ③ Electrical connections: 186 mm / 7 5/16" - 326 mm / 12 13/16"

► Technical information

| | |
|---------------------------|-------------------|
| Production in 24h | 134 kg / 295 lb |
| Store capacity, up to | 65 kg / 143 lb |
| Cooling system | A |
| Kind of cube | A-18g |
| Refrigerant | R290 |
| Standard voltage | 220-240 V ~ 50 Hz |
| Average power consumption | 1250 W |
| Fuse | 16 A |
| Electrical consumption | 23 kWh/100kg |

| | |
|----------------------------|--|
| Water consumption | A: 2 l/kg - 24 gal/100 lb |
| Sizes (L-P-H mm) | 840 - 740 - 1075 |
| (L-P-H in) | 33 1/16 - 29 2/16 - 42 5/16 |
| Sizes with pack (L-P-H mm) | 880 - 785 - 1245 |
| (L-P-H in) | 34 10/16 - 30 14/16 - 49 |
| Net weight | 113 kg / 249 lb |
| Gross weight | 133 kg / 293 lb |
| Finish | AISI 304 stainless steel, scotch brite |

All the technical information must be considered at the following conditions:

- Sizes without feet
- Standard Cube (18 g)
- Ambient temperature +21° C
- Water temperature +15° C
- Electrical consumption at +32° C (standard voltage)
- Average power consumption at +43° C (standard voltage)

Models and specifications are subject to change without notice

Rev. 00 - Issued February 2017



BREMA ICE MAKERS SPA

Via dell'Industria 10,
20020 Villa Cortese (MI), Italy

tel. +39 0331 434811
fax +39 0331 433833

www.bremaice.it
info@bremaice.it

Bim + Data
download

