



VM 350

LIST OF THE EXPLODED VIEWS



SHELL ASSY

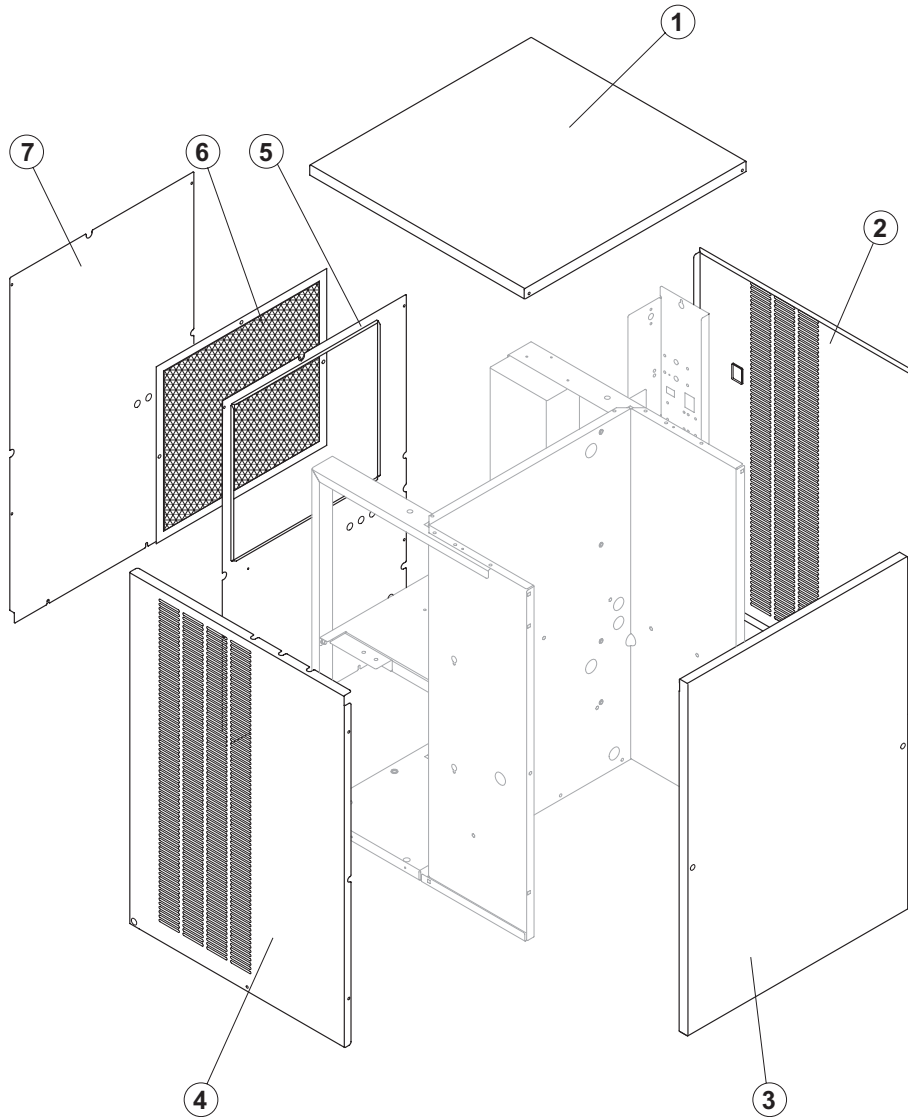
COOLING SYSTEM

HYDRAULIC CIRCUIT

SPRAYER PUMP

ELECTRICPARTS

Rev. 10 - 22/06/2011



Rev. 10 - 22/06/2011

Common Parts

Ref.	Spare Description	Code
1	Top Assembly	C221084
2	Right Side Panel	Current Version 221075
2	Right Side Panel	Till s/n. 394022 22410
2	Right Side Panel	Till s/n. 298777 22794
3	Front Panel Assembly	Current Version C221077
3	Front Panel Assembly	Till s/n. 394022 C22792
4	Left Side Panel	Current Version 221076
4	Left Side Panel	Till s/n. 394022 22795

Parts for Air-Cooled Version Only

Ref.	Spare Description	Code
5	Rear Panel	Current Version 21329
5	Rear Panel	Till s/n. 394022 21269
12*	Filter	18163

Componenti Solo Versione Acqua

Ref.	Spare Description	Code
7	Rear Panel	Current Version 21331
7	Rear Panel	Till s/n. 394022 21275



VM 350

COOLING SYSTEM

Common Parts

Ref.	Spare Description	Code
3	Evaporator	Current Version D10539
3	Evaporator	Till s/n. 394022 D10381
4	Evaporator Cover Panel	22798
5	Spring	20464
6	Horizontally Hinged Panel	22801
7	Compressor	Vedi Tabella -
8	Vaccum-Charge Valve Body	14007
9*	Vaccum-Charge Valve Device	14005
10*	Vaccum-Charge Valve Plug	14006
12*	Hot Gas Valve Coil	Vedi Tabella -
13*	Hot Gas Valve Body	20409
14*	Liquid Line Drier	14084

Parts for Air-Cooled Version Only

Ref.	Spare Description	Code
1	Sucking Fan	20407
1	Sucking Fan	Only 110/115V 60 Hz Current Version 20671
1	Sucking Fan	Only 110/115V 60 Hz Till s/n. 394022 20031
2	Air Condenser	Current Version 20884
2	Air Condenser	Till s/n. 394022 20690

Parts for Water-Cooled Version Only

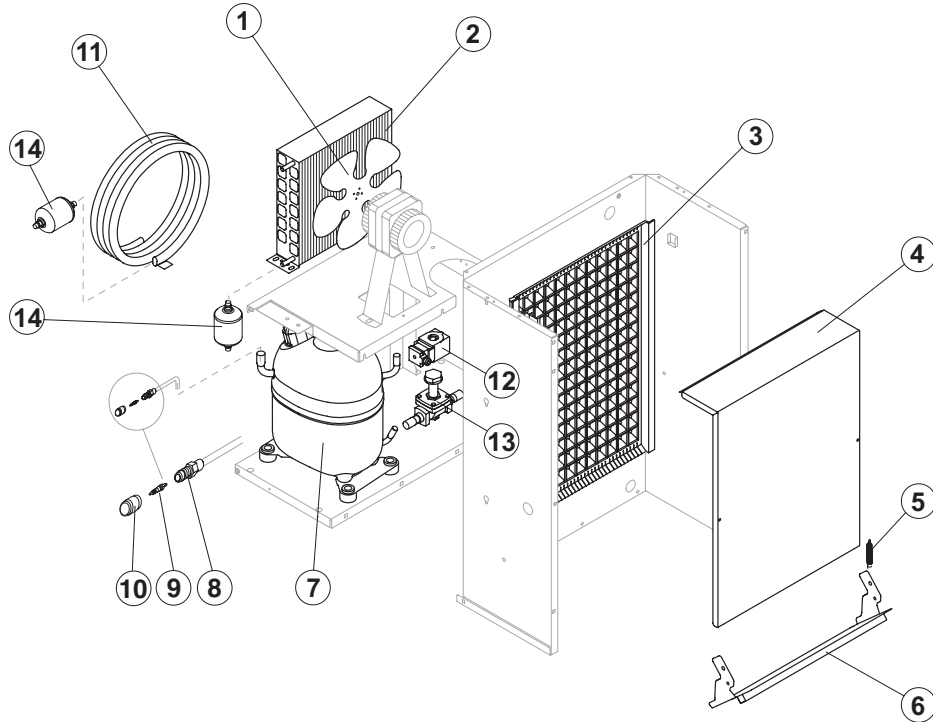
Ref.	Spare Description	Code
11	Water Condenser	14081

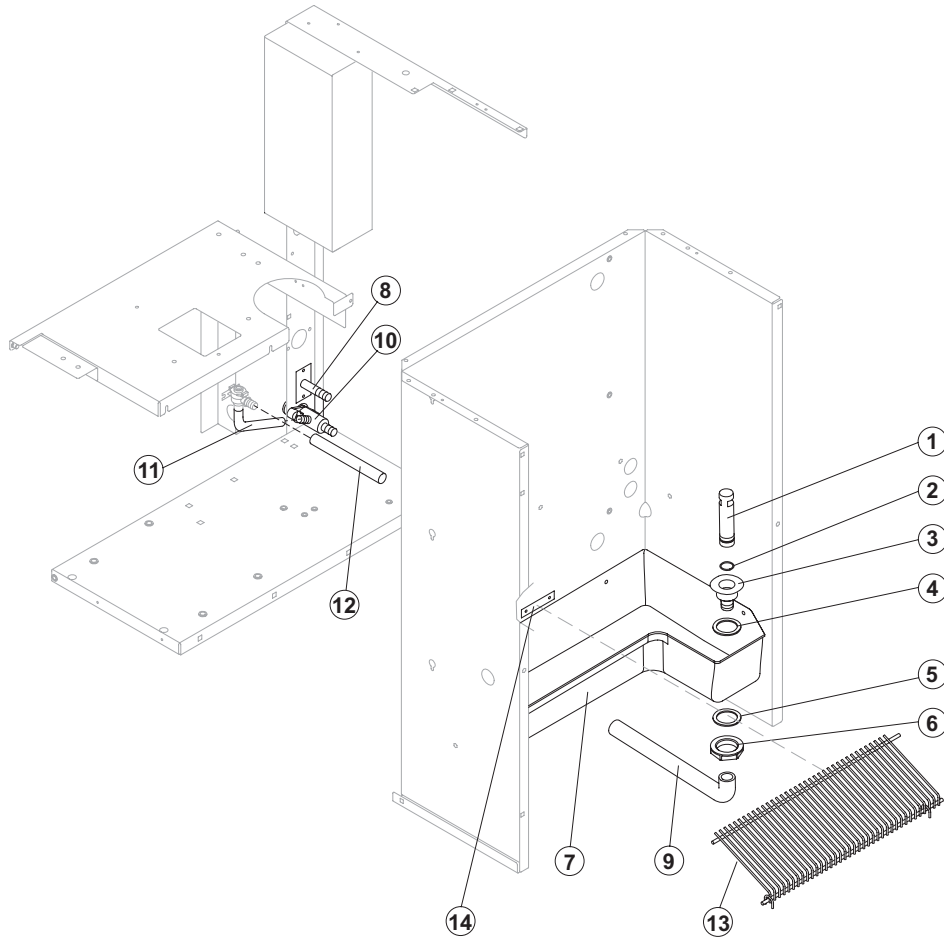
Ref. 7 - Compressor

Voltage	Code
T11	23878
T12	23874
T13	23586
T19	23586

Ref. 12* - Hot Gas Valve Coil

Voltage	Code
T11	23091
T12	23091
T13	23256
T19	23256





Common Parts

Ref.	Spare Description	Code
1*	Overflow Pipe	10133
2*	OR Gasket for Overflow Pipe	20233
3	Overflow Pipe Nipple	10471
4	Silicone Gasket	13006
5	Semirigid Polyethylene Gasket	13007
6	Bin Discharge Nut	10096
7	Water Basin	10355
9	Overflow Pipe Nipple	13120
10	Drain Nipple	10431
11	Discharge Valve Connection Pipe - Discharge	13040
12	Discharge Valve Connection Pipe ("T" Shaped)	13102
13	Ice Cubes Slide	D12082
14	Slide Keep Plate	10142

Parts for Water-Cooled Version Only

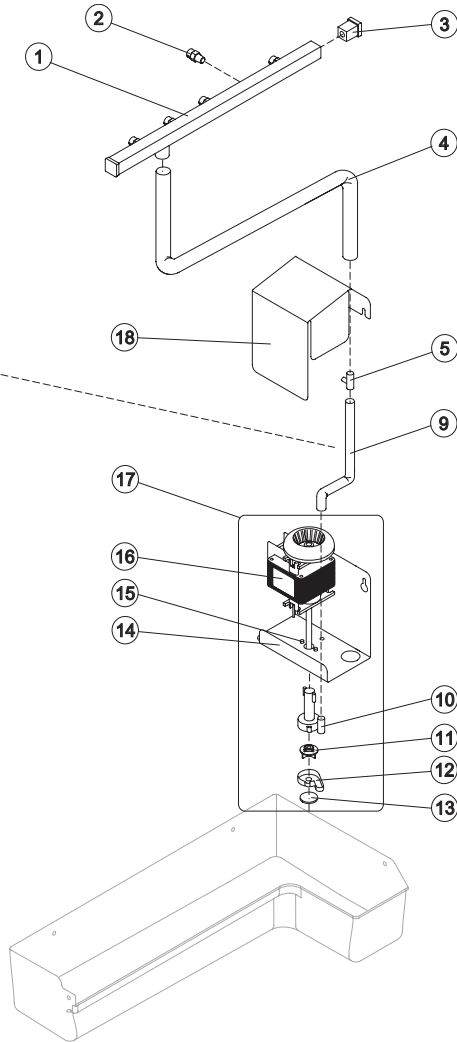
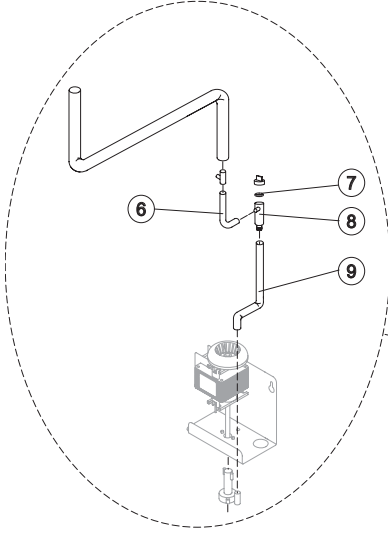
Ref.	Spare Description	Code
8	Connection with Plate	C20462



VM 350

SPRAYER PUMP

OLD
till s/n. 394022



Ref.	Spare Description	Code
1*	Sprayers Bar assembly	C20653
2	Sprayer	D20002
3	Sprayers Bar Plug	10012
4	Sprinkler Bar Connection Pipe ("T" Shaped)	13134
5	Plastic "T" ø 20	10082
6	Sprayers Feeding Pipe	OLD Version 13005
7	Pump Filter Gasket	OLD Version 13080
8	Pump Filter	OLD Version 10139
9	"T" - Pump Connection Pipe	Current Version 13113
9	"T" - Pump Connection Pipe	OLD Version 13157
10	Pump Body	10065
11	Pump Impeller	10138
12	Diffusor	10067
13	Pump Filter	20518
14	Pump Motor Support	22799
15	Pump Motor Shim	20510
16	Pump	See Table -
17*	Pump Assembly	See Table -
18	Protection Pump Panel	22804

Ref. 16 - Pump

Voltage	Code
T11	23073
T12	23187
T13	23188
T19	23188

Ref. 17* - Pump Assembly

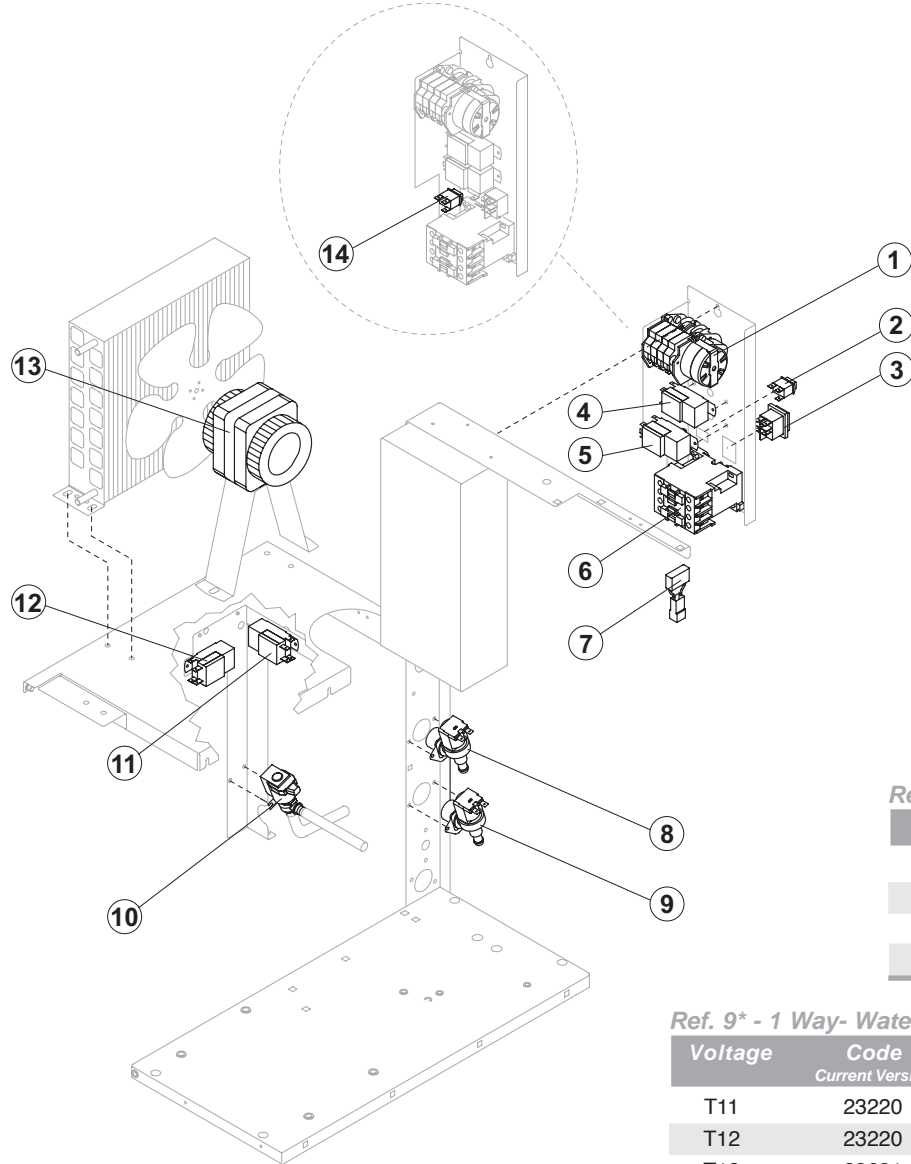
Voltage	Code
T11	C23607
T12	C23616
T13	C23617
T19	C23617



VM 350

ELECTRIC PARTS

Till s/n. 298777



Common Parts

Ref.	Spare Description	Code
1*	Timer	See Table
2	"Cleaning" Switch	23619
3*	Green Light Switch (On-Off)	23327
4*	Bin Thermostat	R23005
5*	Evaporator Thermostat	R23597
6*	Contactor	See Table
9*	1 Way- Water Inlet Valve	See Table
10*	Water Outlet Valve	See Table
11*	Condenser Pressure Switch	See Table
12	Safety Pressure Switch	23342
14	Light Switch "Economy-Full"	Fino a Matr. 298777 23611

Parts for Air-Cooled Version Only

Ref.	Spare Description	Code
7	Anti Radio Interference Filter	Only T11 C23459
13*	Fan Motor	See Table -

Componenti Solo Versione Acqua

Ref.	Spare Description	Code
7	Anti Radio Interference Filter	Only T11 C23457
8*	1 Way- Water Inlet Valve	See Table -

Ref. 1* - Timer

Voltage	Code
T11	23635
T12	23632
T13	23636
T19	23636

Ref. 6* - Contactor

Voltage	Code
T11	23594
T12	23594
T13	23932
T19	23932

Ref. 8* - 1 Way- Water Inlet Valve

Voltage	Code	Code
	Current Version	Till s/n. 394022
T11	23220	23220
T12	23220	23787
T13	23631	23789
T19	23631	23789

Ref. 9* - 1 Way- Water Inlet Valve

Voltage	Code	Code
	Current Version	Till s/n. 394022
T11	23220	23787
T12	23220	23787
T13	23631	23789
T19	23631	23789

Ref. 10* - Outlet Water Valve

Voltage	Code
T11	23537
T12	23537
T13	23637
T19	23637

Ref. 11* - Condenser Pressure Switch

Voltage	Code
T11	23175
T12	23175
T13	23175
T19	23680

Ref. 13* - Fan Motor

Voltage	Code
T11	23121
T12	23121
T13	23621
T19	23621

Rev. 10 - 22/06/2011