



LIST OF THE EXPLODED VIEWS



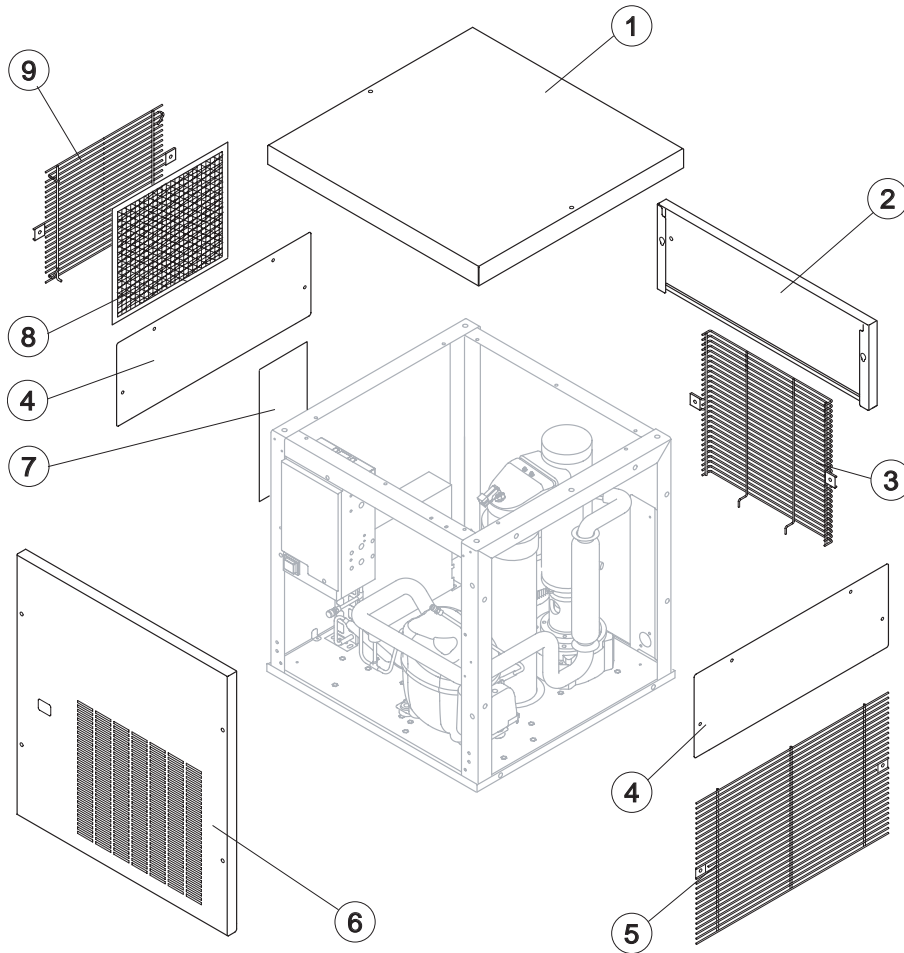
SHELL ASSY

COOLING SYSTEM

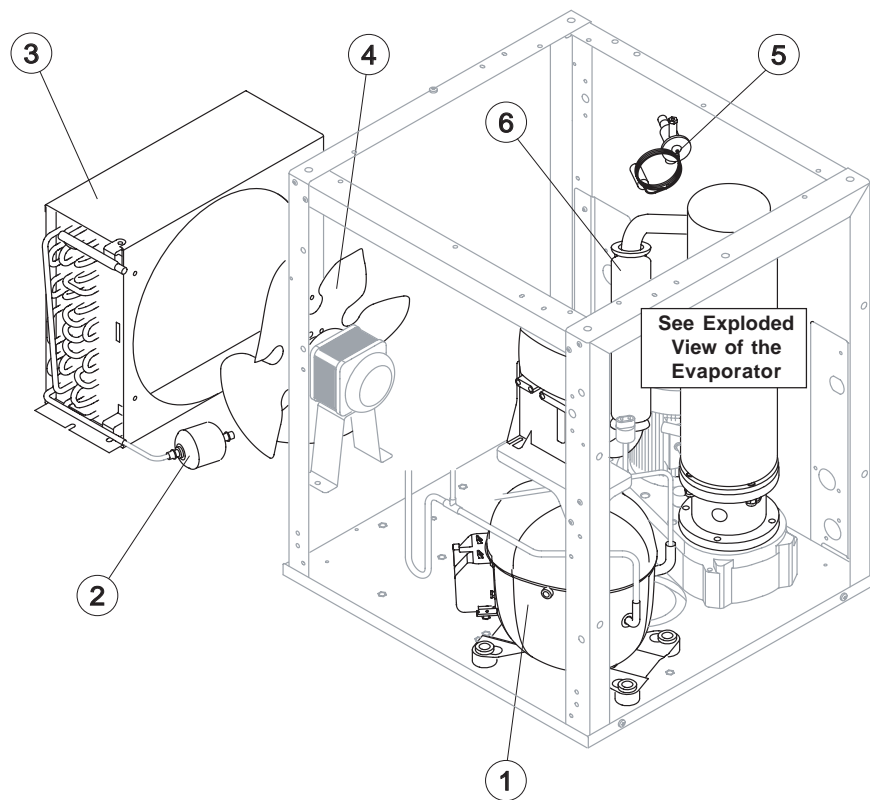
EVAPORATOR

HYDRAULIC CIRCUIT

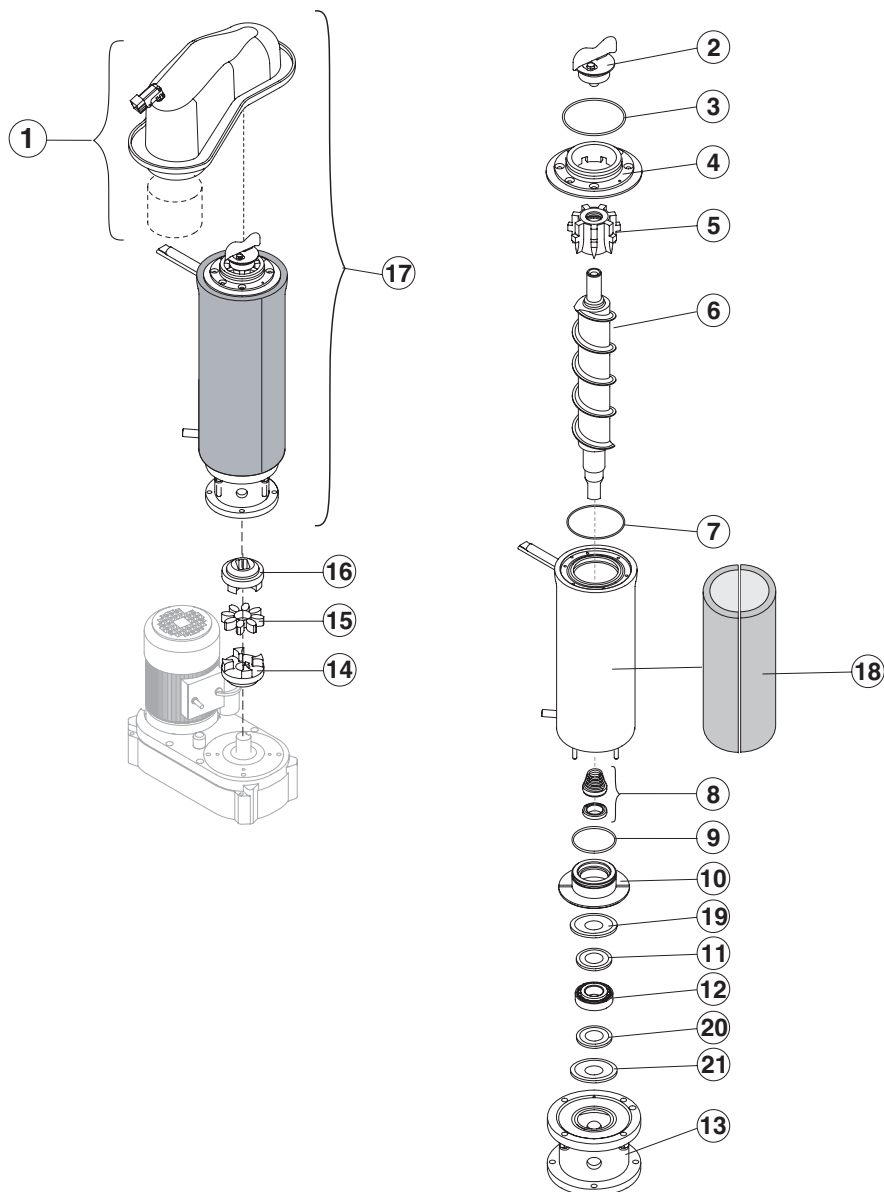
ELECTRIC PARTS



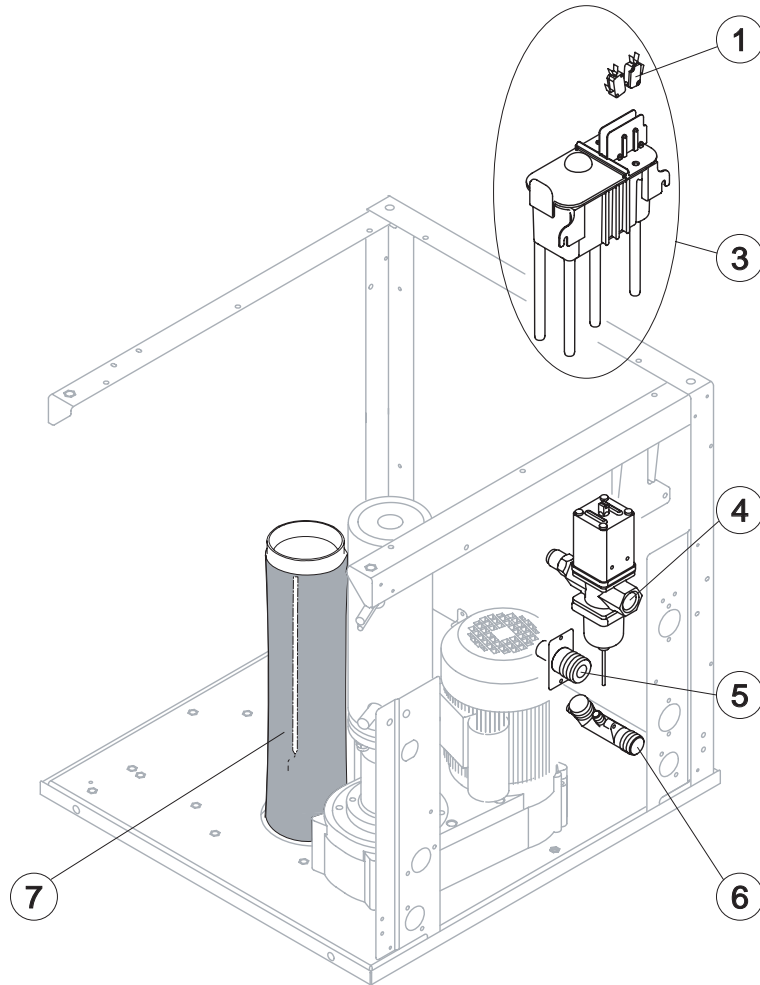
Ref.	Spare Description	Code
1	Top	221518
2	Back Panel	221513
3	Back Grill	D12091
4	Side Panel	221515
5	Right Side Grill	D12092
6	Front Panel	221511
7	Left Side Panel	221517
8*	Filter	18246
9	Left Side Grill	D12093



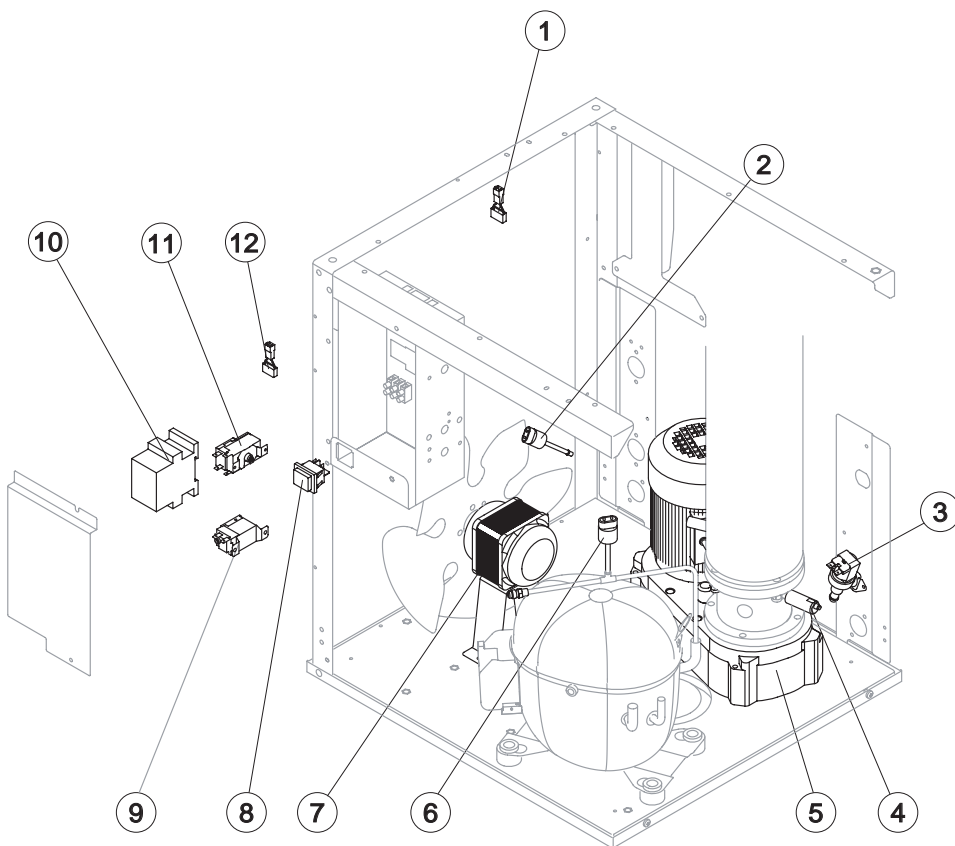
Rif.	Descrizione Ricambio	Codice
1	Compressor	231143
2*	Molecular Drier	141003
3	Air Condenser	Current Version 201224
3	Air Condenser	Till s/n. 884667 201132
4	Sucking Fan	20407
5	Expansion Valve	201135
6	Suctin Line	for the spare parts code give us the s/n.



Ref.	Spare Description	Code
1	Ice Exhaust with Micro Assy	C11212
2	Ice Breaker	C201133
3	OR Gasket 174	201035
4	Extruder cover	201054
5	Extruder with bearings	C201053
6	Auger	201056
7	OR Gasket 3325 NBR70	201036
8	Ceramic Seal	201034
9	OR Gasket 3218 NBR70	20655
10	Reduction Ring	201057
11	Nilos ring	201114
12	Bearing	201032
13	Flange	Current Version 20644
13	Flange	Till s/n. 892161 R20644
14	Lower Joint	D20493
15	Elastomer	20494
16	Upper Joint	D20654
17	Evaporator Assy	C11214
18	Insulating Cap	18235
19	Support Ring	201124
20	Lower Nilos ring	Till s/n. 892161 R20644
21	Lower Support Ring	Till s/n. 892161 R20644



Ref.	Spare Description	Code
1	Microswitch	23055
3*	Double Switch Basin Assembly	C10685
6	Discharges Manifold	10579
7	Ice Outlet Pipe with Bin Bulb Holder	C10745



Ref.	Spare Description	Code
1	Anti Radio Interference Filter	C23457
2	Safety Pressure-Switch	231142
3*	1 Way- Water Inlet Valve	23115
4	Rotation Sensor	R231028
5	Gearmotor	231030
6	Low Pressure Safety Switch	231124
7*	Fan Motor	23121
8*	Green Light Switch (On-Off)	23327
9*	Fan cycle switch	231123
10	Contactor	23147
11*	Bin Thermostat	R231035
12	Anti Radio Interference Filter	C23459