



MUSTER 800 SPLIT

LIST OF THE EXPLODED VIEWS



SHELL ASSY

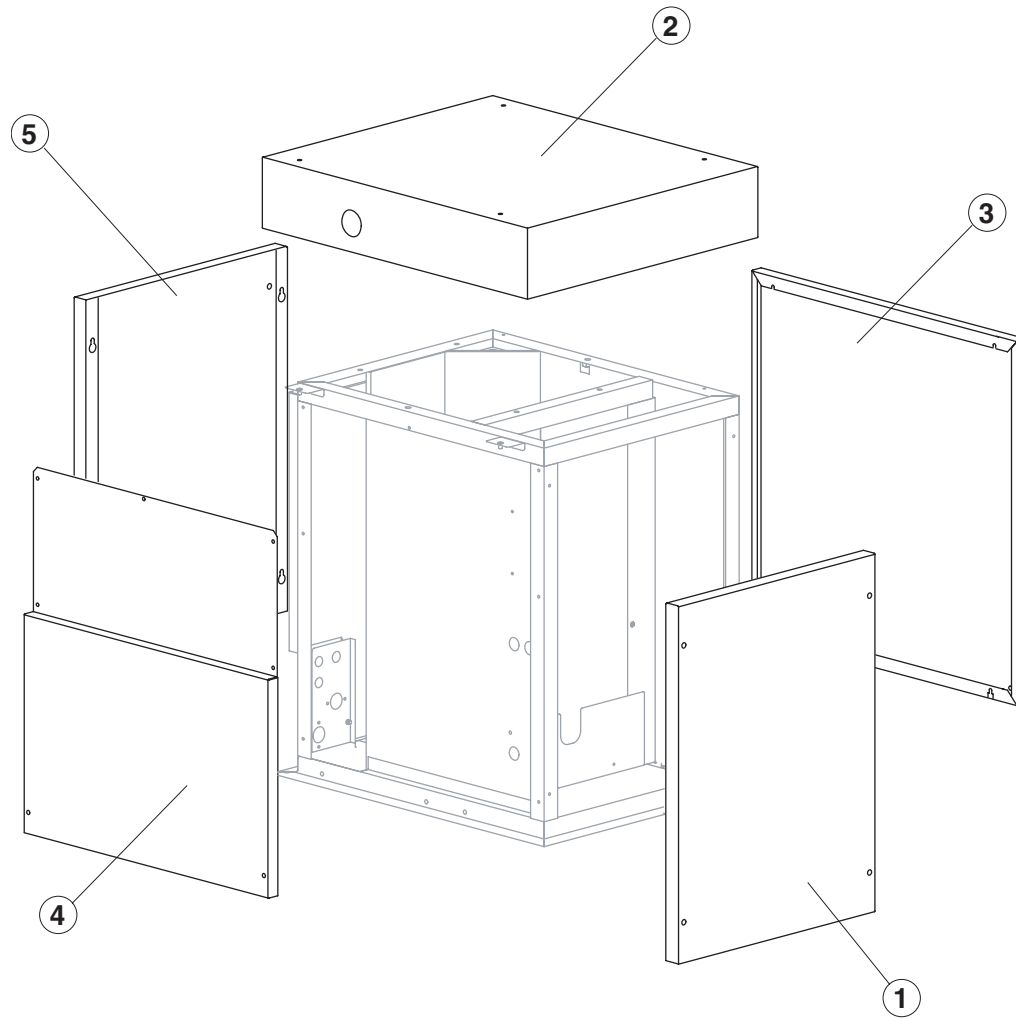
EVAPORATOR 2nd version

EVAPORATOR 1st version

PUMP

ELECTRIC PARTS

Rev. 10 - 23/06/2011



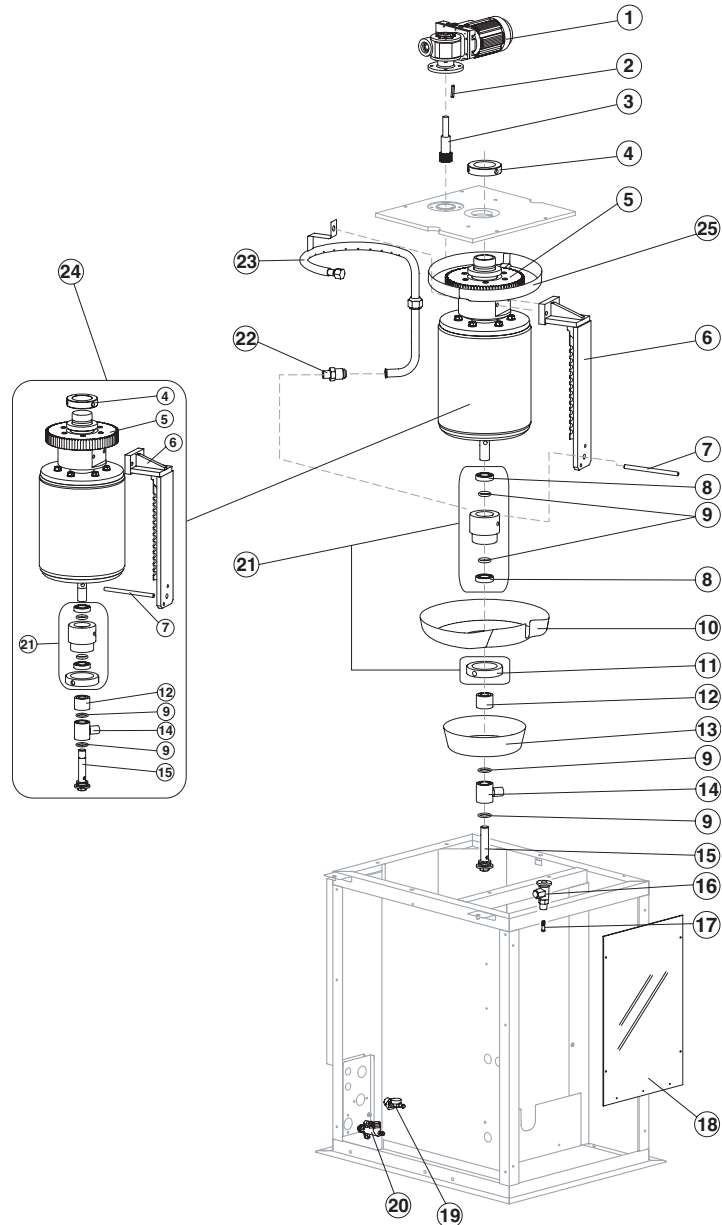
<i>Ref.</i>	<i>Spare Description</i>	<i>Code</i>
1	Front Panel	22474
2	Top Assembly	C22966
3	Right Side Panel	22445
4	Left Side Panel	22963
5	Rear Panel	22965



MUSTER 800 SPLIT

2nd version

EVAPORATOR



Ref.	Spare Description	Code
1	Gearmotor Assy	C23412
2	Key 6x6x40	20350
3	Pinion with Shaft for Gearmotor	C20344
4	Cylinder Locking Ring Nut	20365
5	Ring Gear	20363
6	Scraper	20358
7	M10 Tie Rod (to Block Scraper)	20369
8	Stainless Steel Bearing	20045
9	Silicone OR 4081 in Ring	20338
10	Rotating Basin	10191
11	Ring Nut for Rotating Ring	10194
12	Spacer	Current Version 10528
12	Spacer	Till s/n. 386259 20366
13	Fixed Basin	C10599
14	Water Inlet Ring	20851
15	Screw	20872
16	Expansion Valve	20734
17	Orifice	Current Version 20944
17	Orifice	Till s/n. 470848 20733
18	Evaporator Chamber Shield	Current Version 10531
18	Evaporator Chamber Shield	Till s/n. 386259 10196
19	1 Way- Water Inlet Nipple	10368
20	Discharge Manifold	10580
21	Complete Rotating Ring	C10193
22	Joint	20367
23	Sprayer Ring	C20357
24	Evaporator	Current Version C20879
24	Evaporator	Till s/n. 386259 KITNEVM800
25	Ring Gear Cover	From s/n. 556448 C10631

Rev. 10 - 23/06/2011

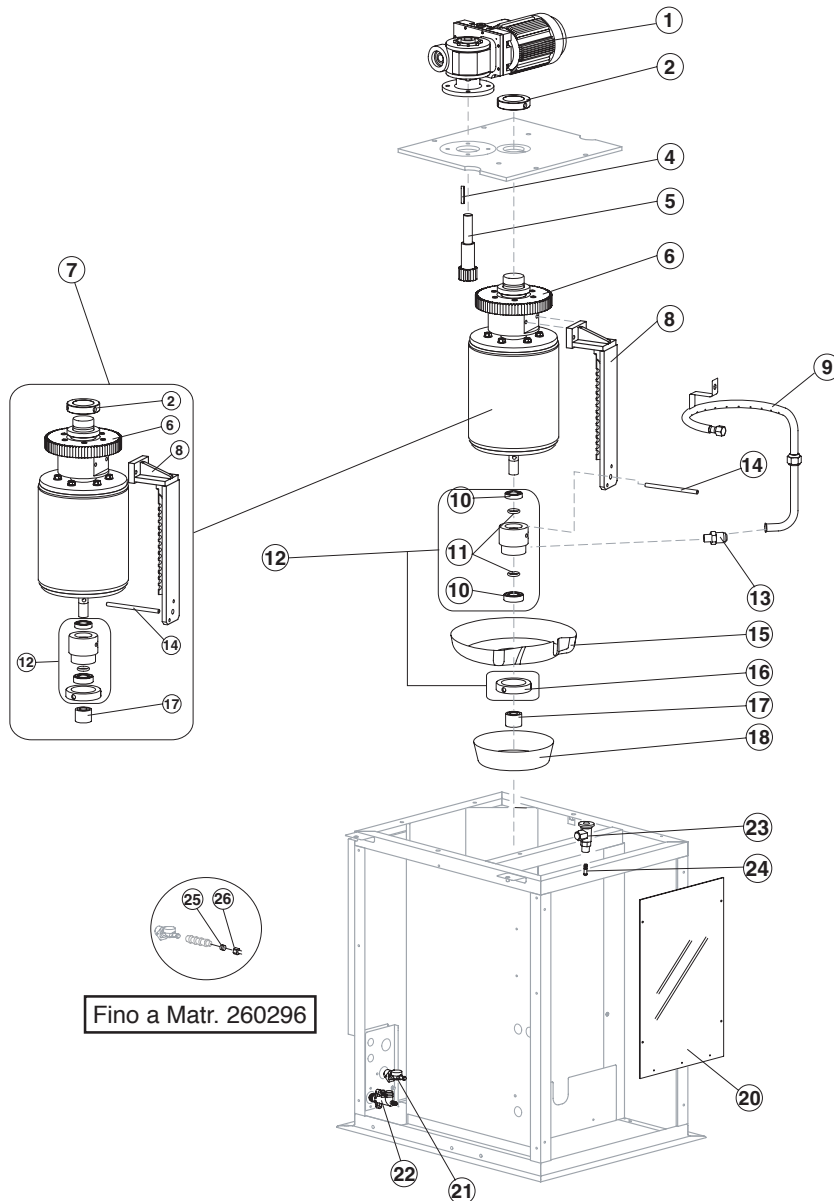


MUSTER 800 SPLIT

1st version

EVAPORATOR

Rev. 10 - 23/06/2011

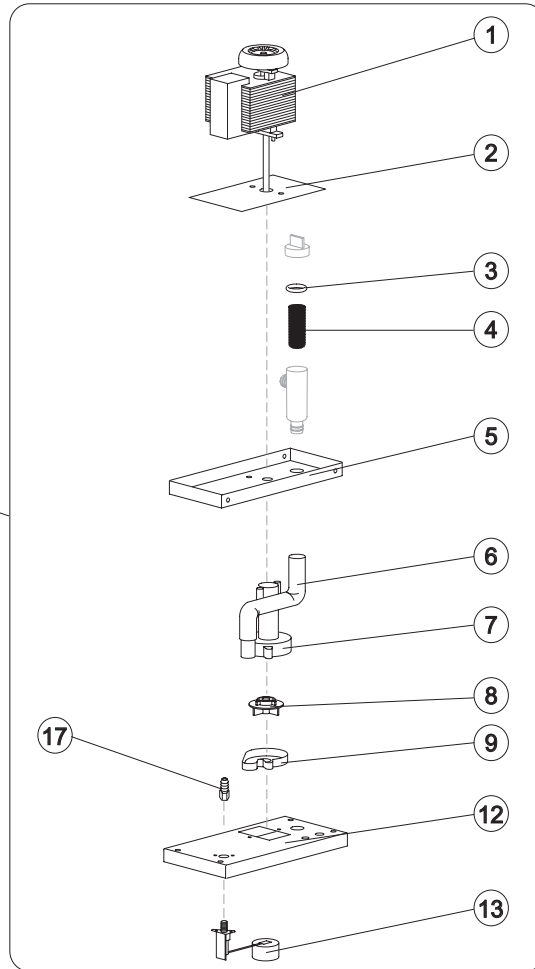


Ref.	Spare Description	Code	
1	Gearmotor Assy	C23412	
2	Cylinder Locking Ring Nut	20365	
3	Evaporator Support Plate	20372	
4	Key 6x6x40	20350	
5	Pinion with Shaft for Gearmotor	C20344	
6	Ring Gear	20363	
7	Evaporator	KITNEVM800	
8	Scraper	20358	
9	Sprayer Ring	C20357	
10	Stainless Steel Bearing	20045	
11	Silicone OR 4081 Ring	20338	
12	Complete Rotating Ring	C10193	
13	Joint	20367	
14	M10 Tie Rod (to Block Scraper)	20369	
15	Rotating Basin	10191	
16	Ring Nut for Rotating Ring	10194	
17	Spacer	20366	
18	Fixed Basin	C10192	
20	Evaporator Chamber Shield	10196	
21	1 Way- Water Inlet Nipple	10368	
22	Discharge Manifold	10580	
23	Expansion Valve	20734	
24	Orifice	20733	
25	Bush	Till s/n. 260296	20405
26	Nut	Till s/n. 260296	20404



MUSTER 800 SPLIT

PUMP



Ref.	Spare Description	Code
1	Pump	See Table
2	Heat Dissipator	22430
3	Pump Filter Gasket	13080
4	Filtering Element	20254
5	Pump Motor Support	10161
6	Pump-Filter Connection Pipe	13084
7	Pump Body	10065
8	Pump Impeller	10138
9	Diffusor	10067
10	Nut	Till s/n. 260296 20404
11	Bush	Till s/n. 260296 20405
12	Water Pump Basin Cover	22420
13*	Floating Valve	Current Version 10188
13	Floating Valve assy	Till s/n. 260296 C10188
14*	Pump and Filter Assy	See Table -
17	Connection	20799

Ref. 1 - Pump

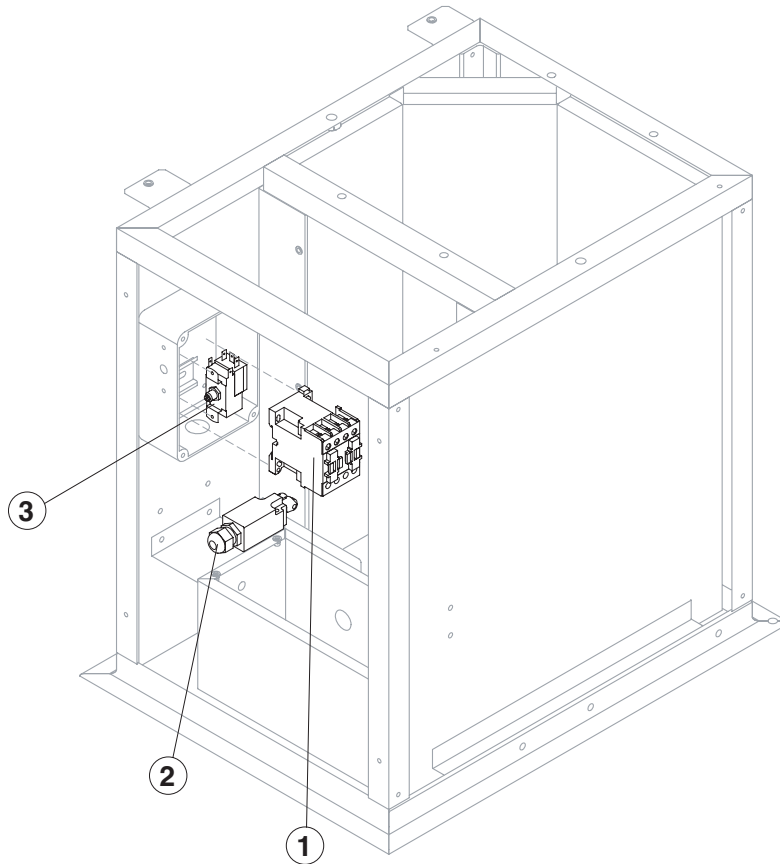
Tension	Code
T11	23073
T12	23187

Ref. 14* - Pump and Filter Assy

Tension	Code	Till s/n. 386259
T11	C26738	C26711
T12	C26739	C26712



Ref. 14 - For ice-makers with s/n. before 260297 ask also the Nut (ref. 10) and the Bush (ref. 11).



Ref.	Spare Description	Code
1*	Contactor	23594
2	Microswitch for Overflow Ice	23746
3*	Bin Thermostat	R23005