



Ice Dispenser 70 Plus - 70

LIST OF EXPLODED VIEWS



ID 70 Plus SHELL ASSY

ID 70 SHELL ASSY

INTERNAL PARTS

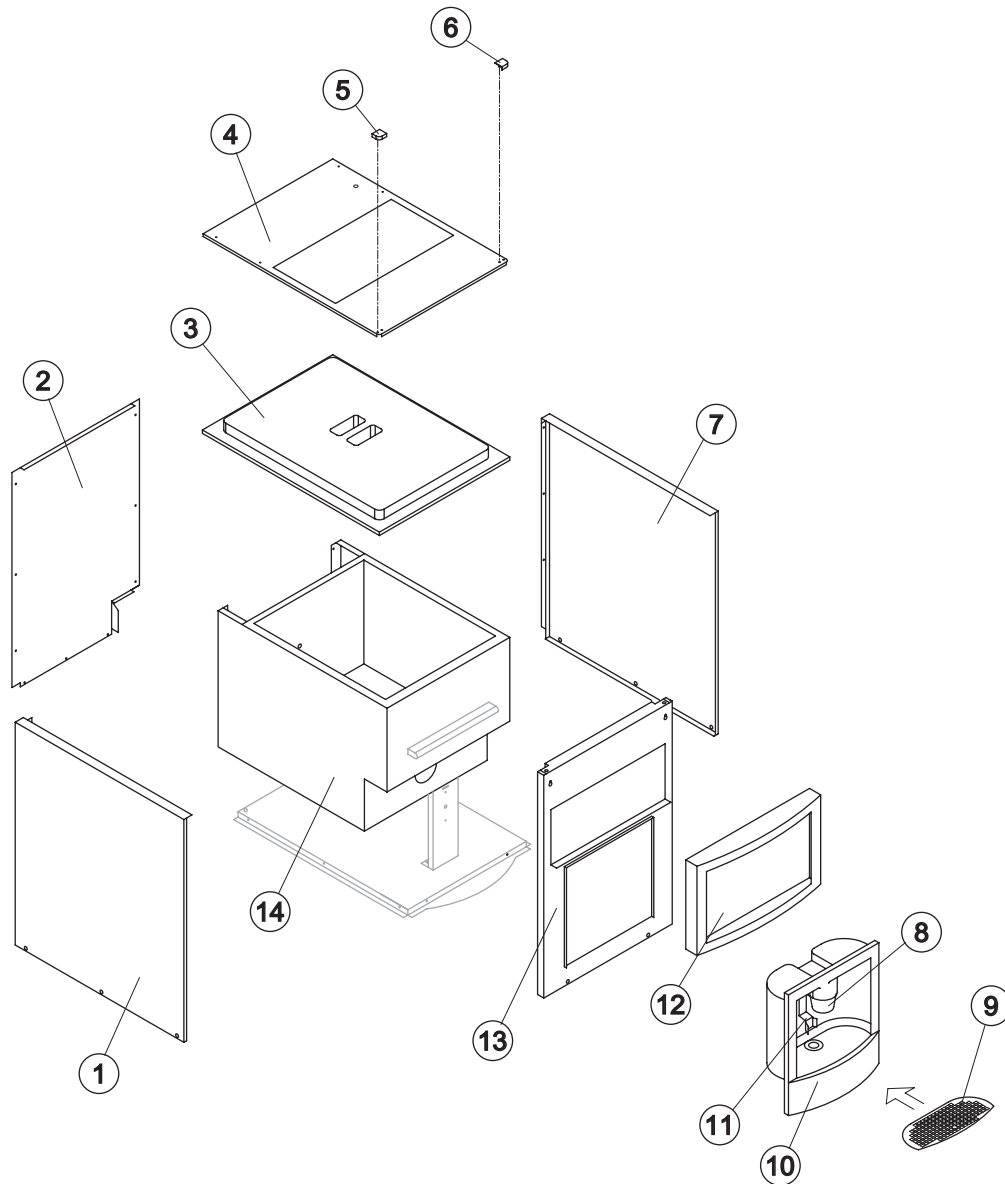




Ice Dispenser 70 Plus - 70

ID 70 Plus SHELL ASSY

Rev. 2 - 12/07/2010



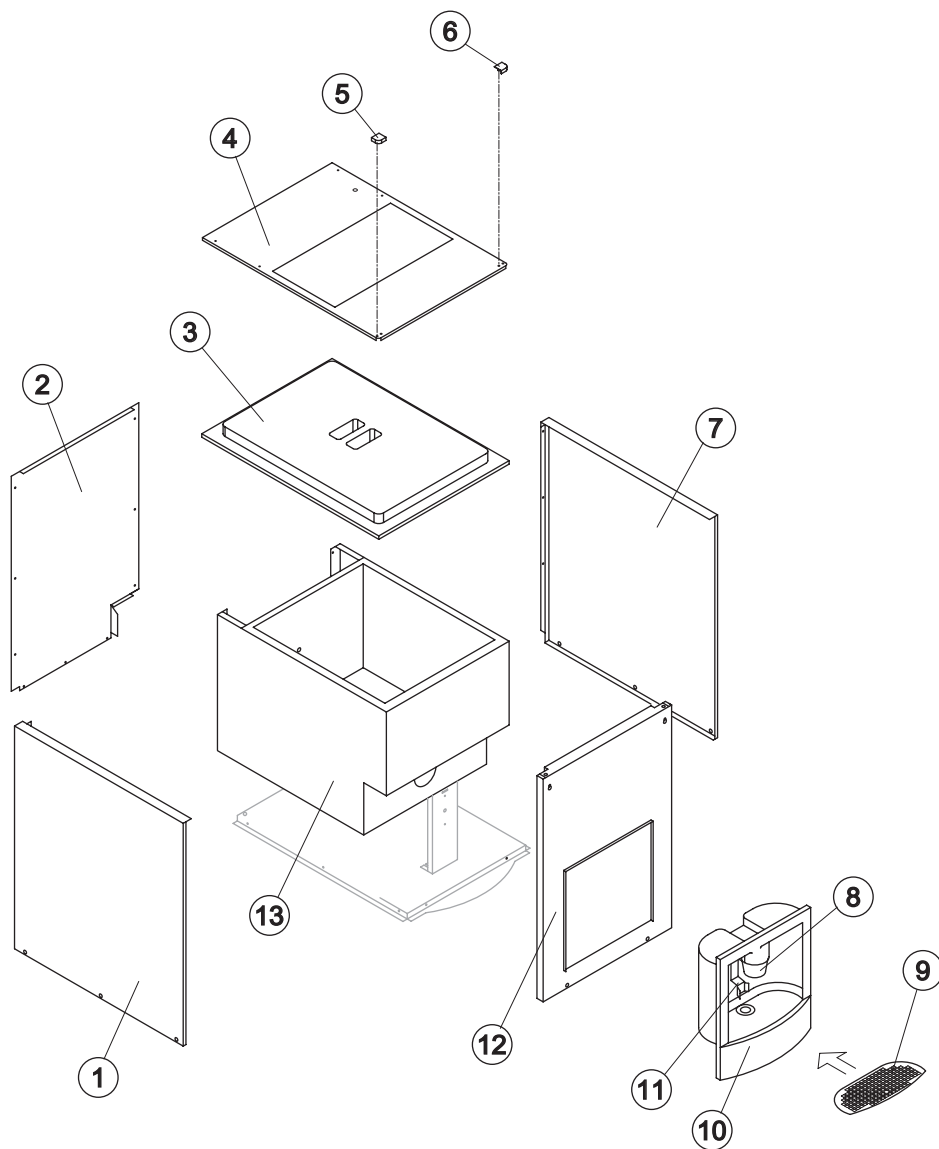
Ref.	Spare Description	Code
1	Left Side Panel	22883
2	Rear Panel	21302
3	Cover	10430
4	Adaptor Cover Assembly	C22879GR
5	Grey Left Angle of Top Fending	10323GR
6	Grey Right Angle of Top Fending	10324GR
7	Right Side Panel	22882
8	Distributor Glass	10442
9	Glass Support	22884
10	Grey Mask for Distributor	10426
11	Microswitch Operating Plate	22885
12	Grey Plate Holder Assy	C10428
13	Front Panel	22881
14	Foamed Cabinet Assy	C11117



Ice Dispenser 70 Plus - 70

ID 70 SHELL ASSY

Rev. 2 - 12/07/2010

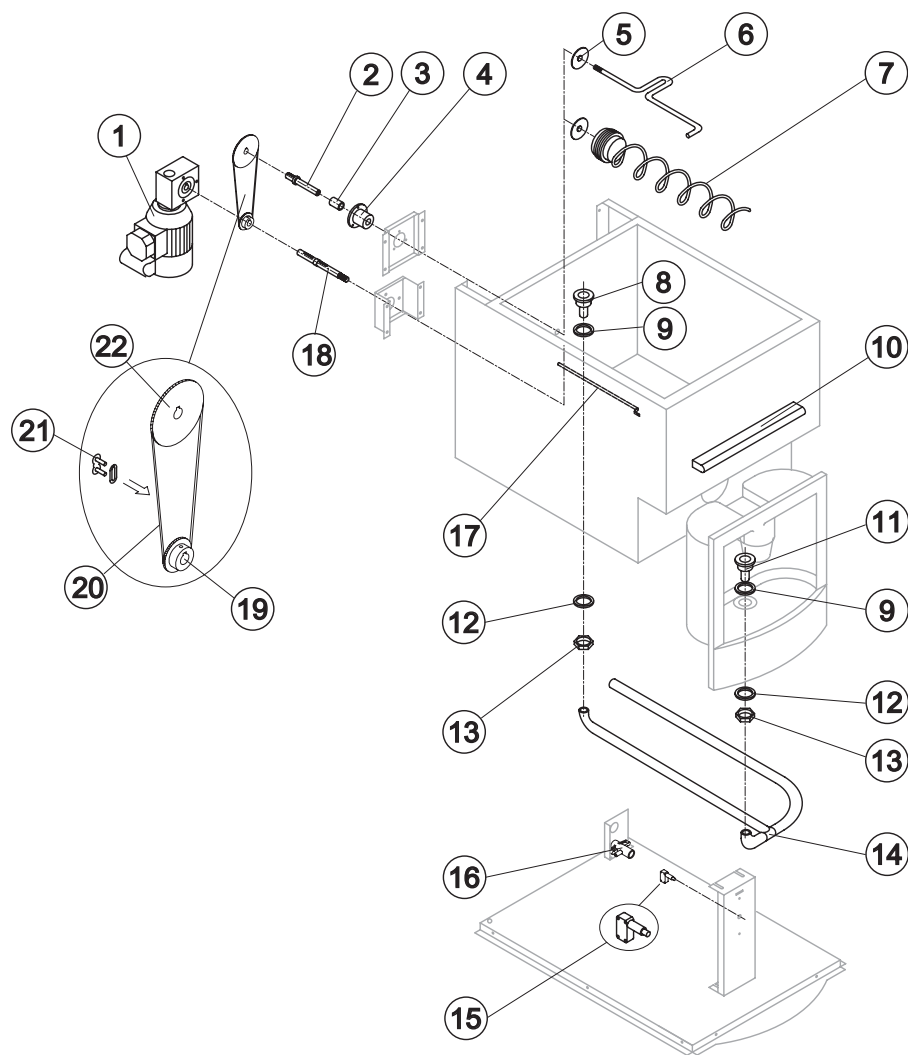


Ref.	Spare Description	Code
1	Left Side Panel	22883
2	Rear Panel	21302
3	Cover	10430N
4	Adaptor Cover Assembly	C22879NR
5	Black Left Angle of Top Fending	10323NR
6	Black Right Angle of Top Fending	10324NR
7	Right Side Panel	22882
8	Distributor Glass	10442
9	Glass Support	22884
10	Black Mask for Distributor	10426N
11	Microswitch Operating Plate	22885
12	Front Panel	22891
13	Foamed Cabinet Assy	C11117



Ice Dispenser 70 Plus - 70

INTERNAL PARTS



Ref.	Spare Description	Code
1	Gearmotor	See Table
2	Mixing Shaft	20710
3	Bearing	20712
4	Bearing Support	20711
5	Shaft's Gasket	13148
6	Mixer	20713
7	Out Way Ice Cubes Screw Assy	C20708
8	Baffle plate	10421
9	Silicone gasket	13006
10	Neon	23698
11	Overflow Pipe Nipple	10471
12	Semirigid Polyethylene Gasket	13007
13	Bin Discharge Nut	10096
14	Drain Pipe Assembly	C13149
15	Microswitch	23700
16	Drain Nipple	10393
17	Bulb-holder Pipe	20522
18	Reductor Shaft	20715
19	Z16 Gear for Chian Belt	20717
20	Chian Belt	C20719
21	Quick Link	20720
22	Z32 Gear for Chain Belt	20718

Ref. 1 - Motoriduttore

Tension	Code
T11	C23925
T12	C23925
T13	C23927

Rev. 2 - 12/07/2010