



IC 18

LIST OF THE EXPLODED VIEWS



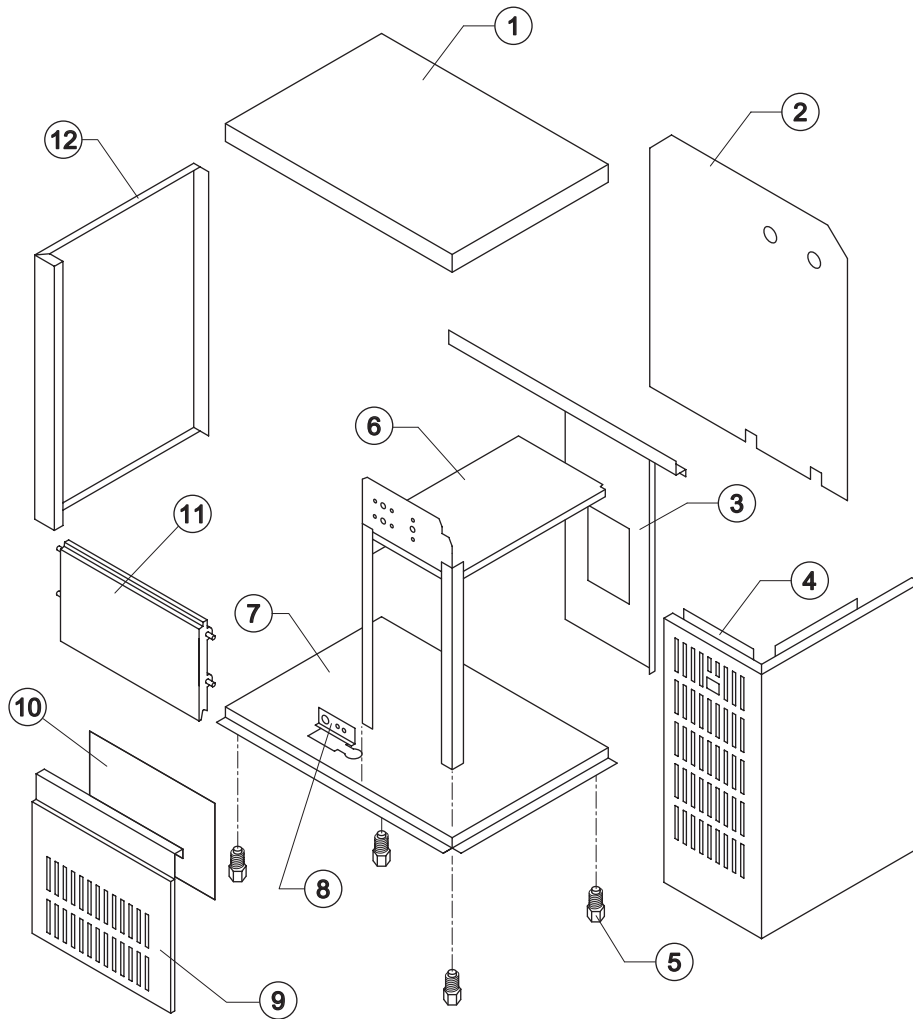
SHELL ASSY

COOLING SYSTEM

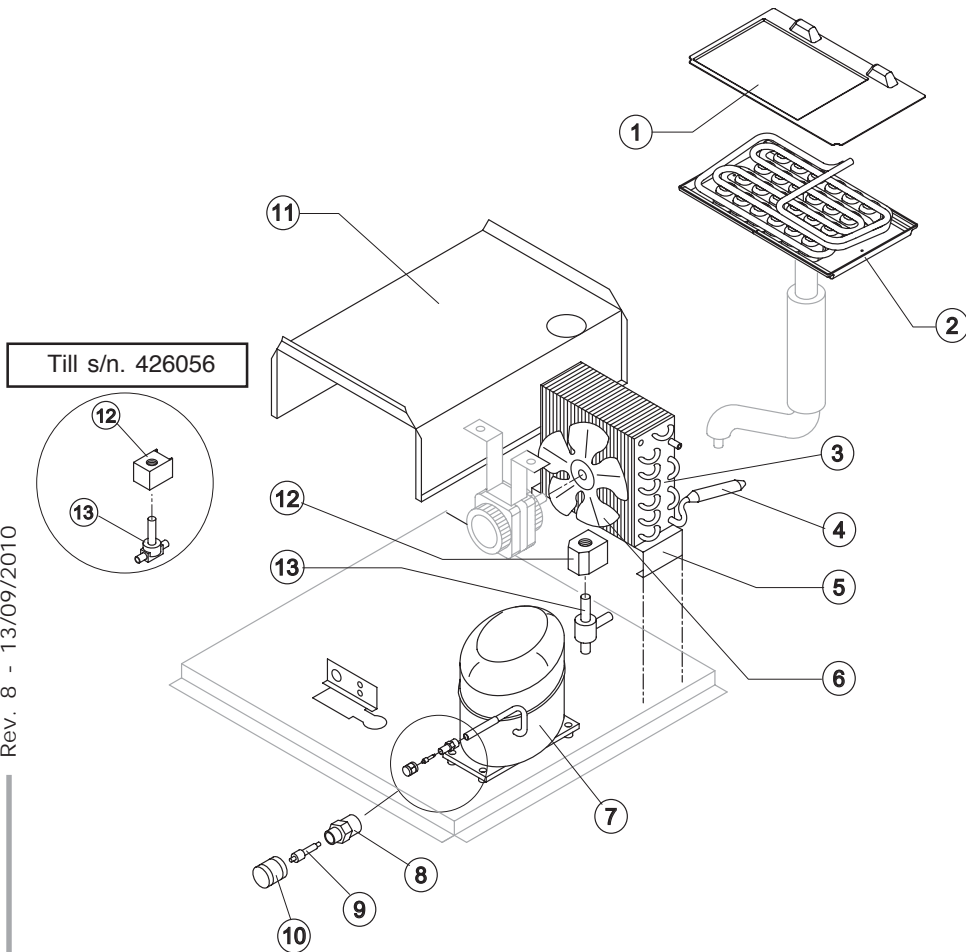
HYDRAULIC CIRCUIT

SPRAYER PUMP

ELECTRIC PARTS



Ref.	Spare Description	Code
1	Top Assembly	C22199
2	Rear Panel	21161
3	Rear Frame	21156
4	Right + Front Panel (Fan Side)	22308
5	Foot	10017
6	Fan Motor + Electrical Parts Support Plate	22301
7	Base Plate	21105
8	Support (Watervalue & Discharge)	21149
9	Front Panel	22307
10*	Filtering Panel	18106
11	Blue Door	10081
12	Left Side Panel	22309



Ref.	Spare Description	Code
1	Evaporator Cover Panel	Current Version 10455
1	Evaporator Cover Panel	Till s/n. 225972 10076
2	Evaporator	D10079
3	Air Condenser	20094
4*	Molecular Drier	14009
5	Air Condenser Support	21155
6	Sucking Fan	20095
7	Compressor	See Table -
8	Vacuum-Charge Valve Body	14007
9*	Vacuum-Charge Valve Device	14005
10*	Vacuum-Charge Valve Plug	14006
11	Bin Support Frame	21154
12*	Hot Gas Valve Coil	See Table -
13*	Hot Gas Valve Body	Current Version 20853
13	Hot Gas Valve Body	Till s/n. 426056 20410

Ref. 7 - Compressor

Tension	Code Current Version	Code Till s/n. 426056
T11	23886	23436
T12	23494	23494
T13	23446	23446

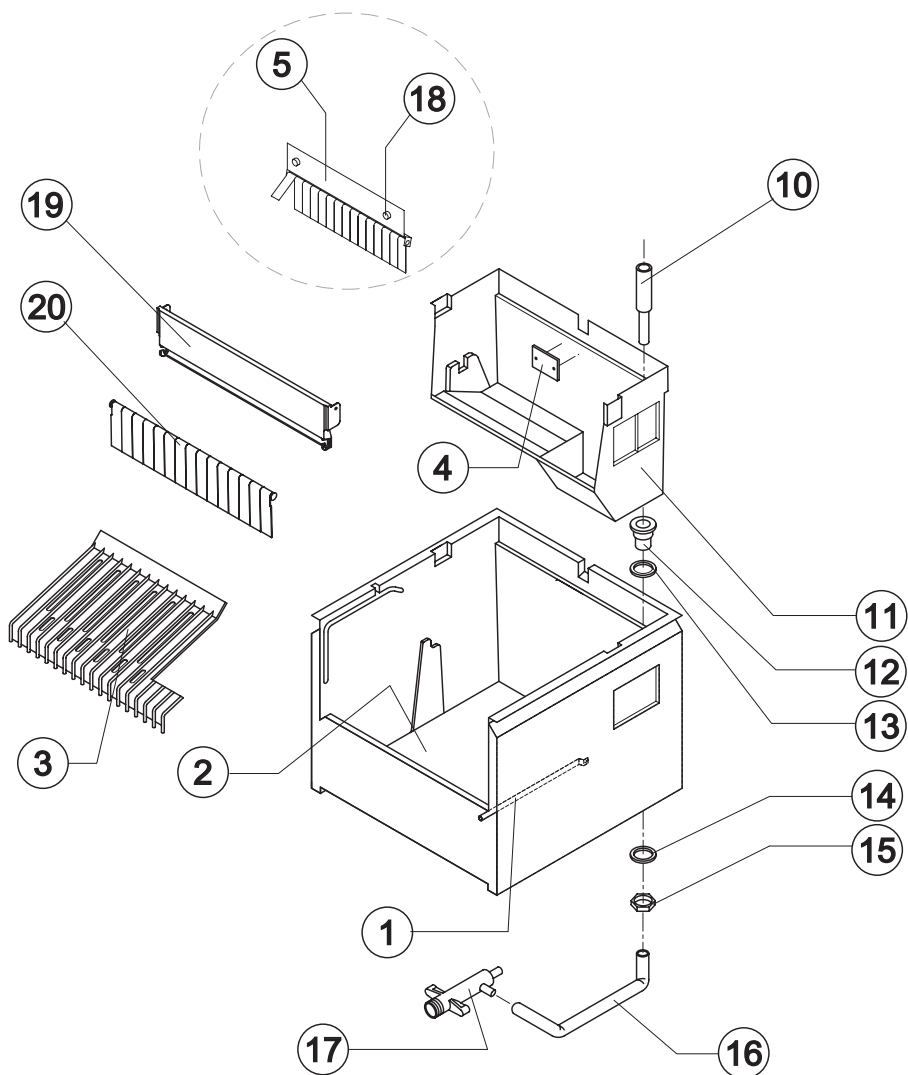
Ref. 13* - Hot Gas Valve Body

Tension	Code Current Version	Code Till s/n. 426056
T11	23854	23091
T12	23854	23091
T13	23855	23256



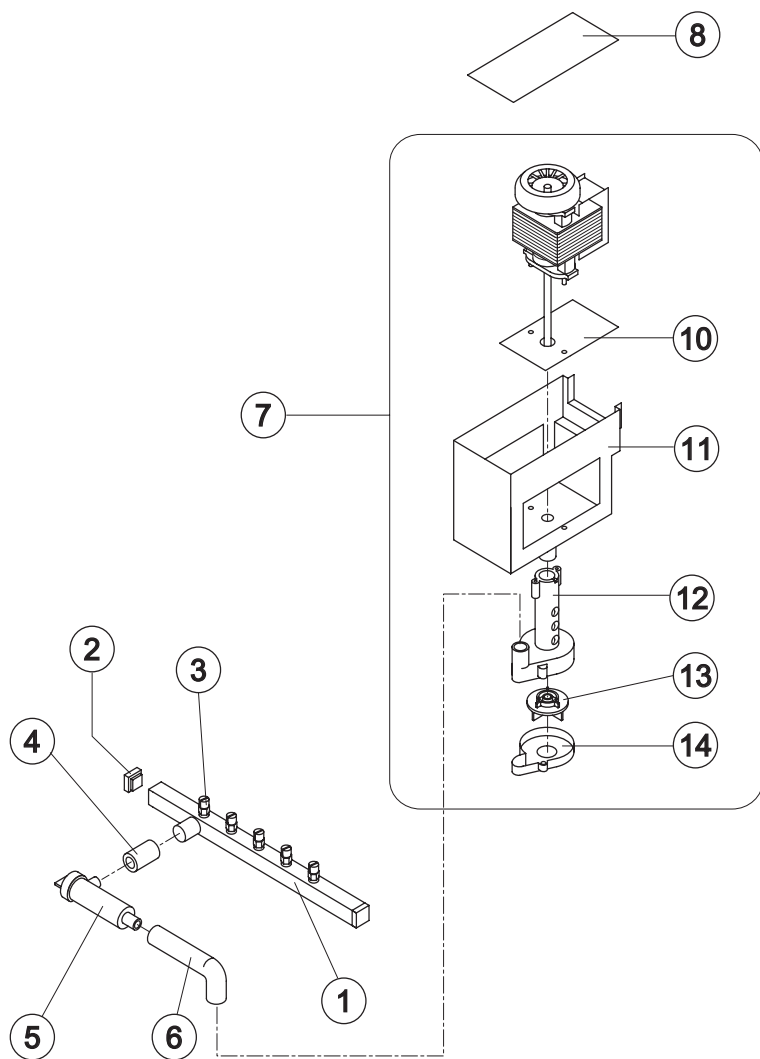
IC 18

HYDRAULIC CIRCUIT



Ref.	Spare Description	Code
1	Bulbe-holder Pipe	20520
2	Foamed Basin	R11016/E
3	Ice Cubes Slide	10136
4	Slide Keep Plate	10142
5	Panel with Flags	Till s/n. 380376 C22106
10*	Overflow Pipe	13028
11	Inner Basin	10064
12	Water Outlet Nipple	10472
13	Silicone Gasket	13006
14	Semirigid Polyethylene Gasket	13007
15	Bin Discharge Nut	10096
16	Water Discharge Pipe	13065
17	Discharge Manifold	10006
18	Fixing Screw	Till s/n. 380376 20009
19	Flags ABS Support	Current Version 10530
20	Rod with Flags	Current Version C10532

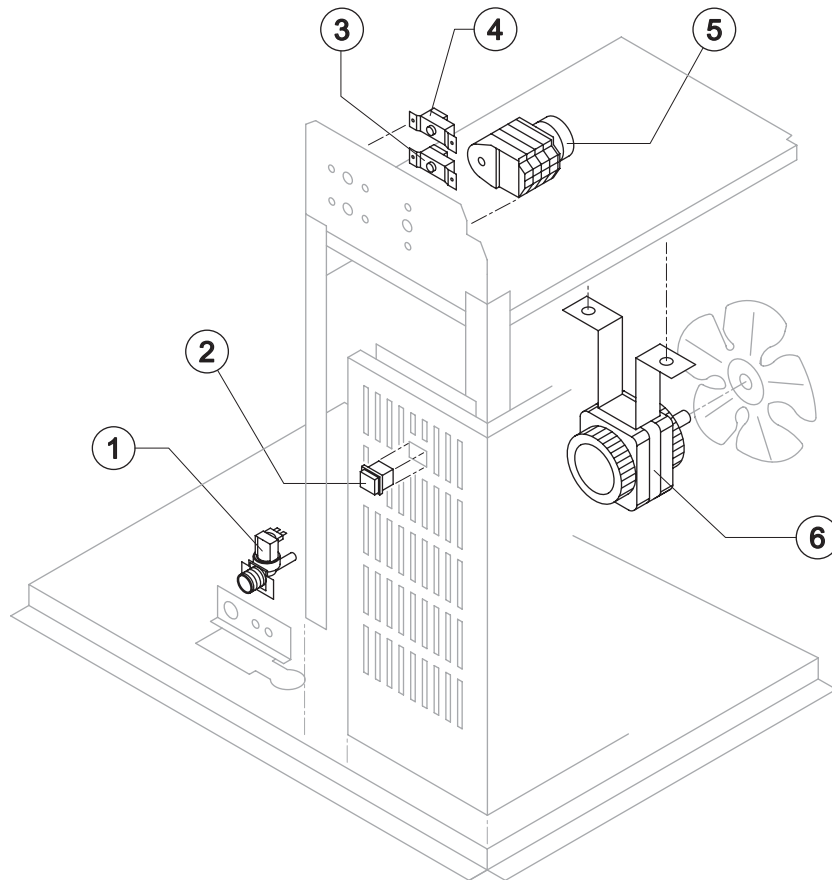
Rev. 8 - 13/09/2010



Ref.	Spare Description	Code
1*	Sprayers Bar Assembly	C20147
2	Sprayers Bar Plug	10012
3	Sprayer	D20002
4	Filter-Sprayers Bar Connection Pipe	13056
5*	Pump Filter	10139
6	Pump-Filter Connection Pipe	13055
7*	Pump Assy	See Table
8	Pump Cover	Till s/n. 225972
10	Heat Dissipator	22430
11	Pump Motor Container	10073
12	Pump Body	10065
13	Pump Impeller	10066
14	Diffusor	10067

Ref. 7* - Pump Assy

Tension	Code Current Version	Code Till s/n. 426056
T11	C23858	C23076
T12	C23892	C23270
T13	C23893	C23271



Ref.	Spare Description	Code
1*	1 Way- Water Inlet Valve	See Table
2*	Green Light Switch (On-Off)	23327
3*	Evaporator Thermostat	R23591
4*	Bin Thermostat	R23005
5*	Timer	See Table
6*	Fan Motor	See Table

Ref. 1* - 1 Way- Water Inlet

Tension	Code
T11	23300
T12	23300
T13	23415

Ref. 5* - Timer

Tension	Code
T11	23247
T12	23247
T13	23258

Ref. 6* - Fan Motor

Tension	Code
T11	23029
T12	23029
T13	23683