



*G 280 HC*

# LIST OF THE EXPLODED VIEWS



*SHELL ASSY*

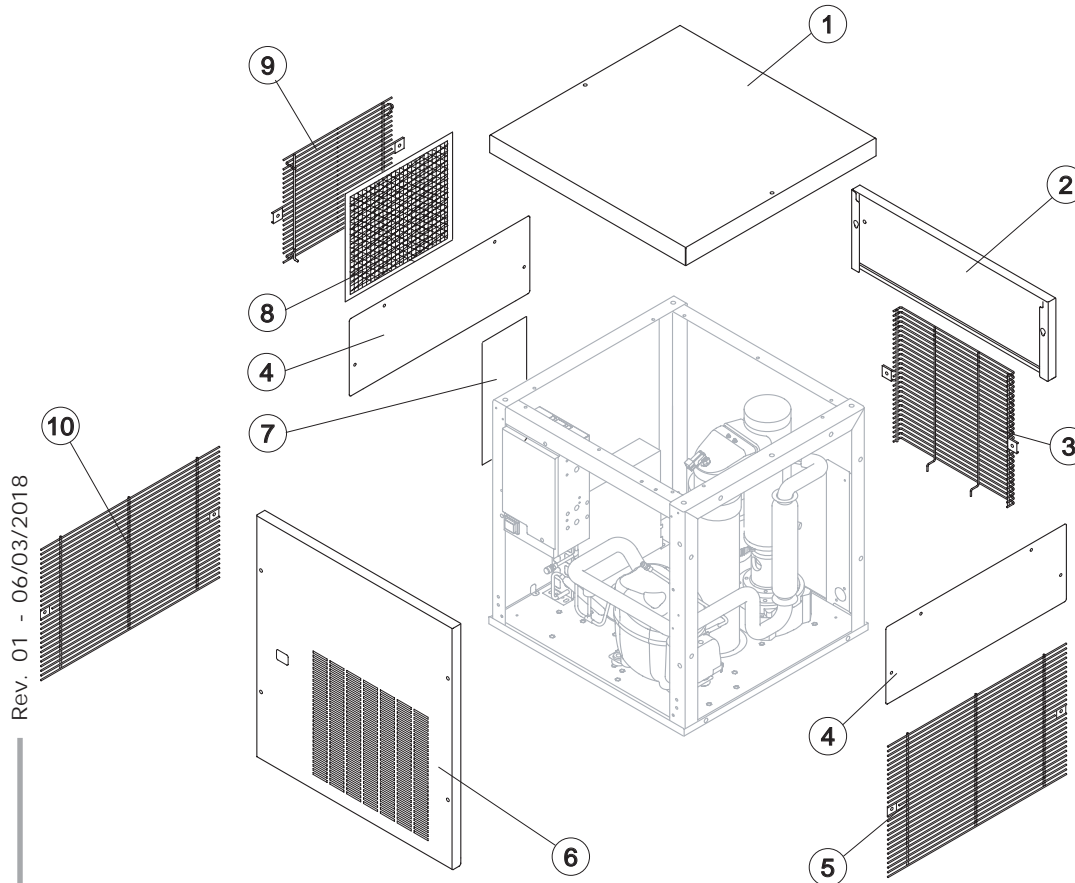
*COOLING SYSTEM*

*EVAPORATOR*

*HYDRAULIC CIRCUIT*

*ELECTRIC PARTS*

Rev. 01 - 06/03/2018



Rev. 01 - 06/03/2018

### Common Parts

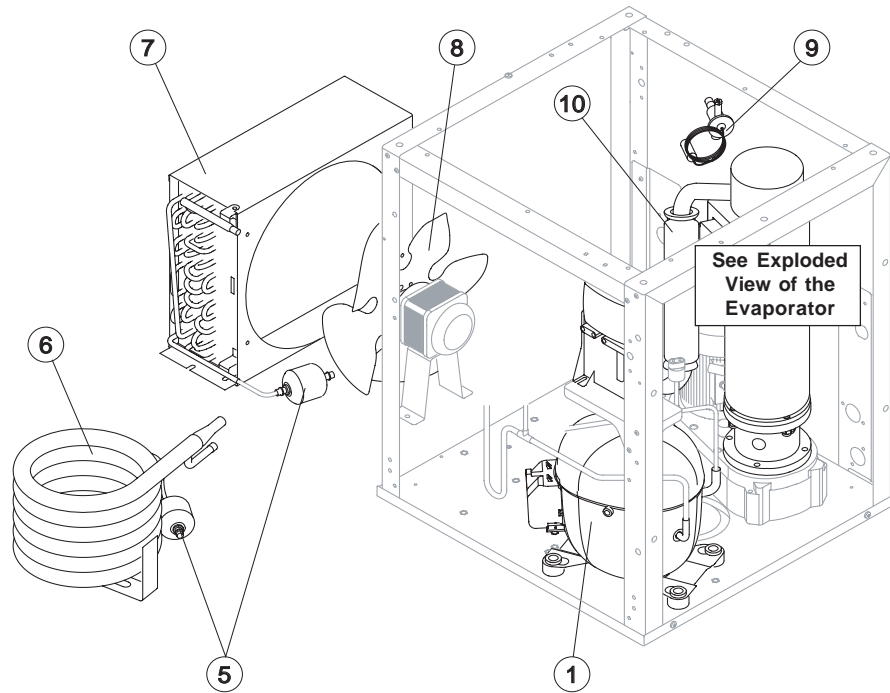
| Ref. | Spare Description | Code   |
|------|-------------------|--------|
| 1    | Top               | 221518 |
| 2    | Back Panel        | 221513 |
| 3    | Back Grill        | D12091 |
| 4    | Side Panel        | 221515 |
| 5    | Right Side Grill  | D12092 |
| 6    | Front Panel       | 221511 |

### Parts for Air-Cooled Version Only

| Ref. | Spare Description     | Code   |
|------|-----------------------|--------|
| 7    | Lower Left Side Panel | 221517 |
| 8*   | Filter                | 18246  |
| 9    | Left Side Grill       | D12093 |

### Parts for Water-Cooled Version Only

| Ref. | Spare Description | Code   |
|------|-------------------|--------|
| 10   | Left Side Grill   | D12092 |



### Common Parts

| Ref. | Spare Description | Code                                      |
|------|-------------------|---|
| 1    | Compressor        | 231143                                    |
| 5*   | Molecular Drier   | 141003                                    |
| 9    | Expansion Valve   | 201135                                    |
| 10   | Suctin Line       | for the spare parts code give us the s/n. |

### Parts for Air-Cooled Version Only

| Ref. | Spare Description | Code                    |
|------|-------------------|-------------------------|
| 7    | Air Condenser     | Current Version 201224  |
| 7    | Air Condenser     | Till s/n. 875545 201132 |
| 8    | Sucking Fan       | 20407                   |

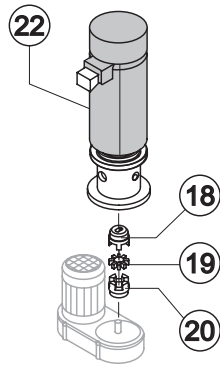
### Parts for Water-Cooled Version Only

| Ref. | Spare Description | Code  |
|------|-------------------|-------|
| 6    | Water Condenser   | 14374 |
| 8    | Sucking Fan       | 10213 |

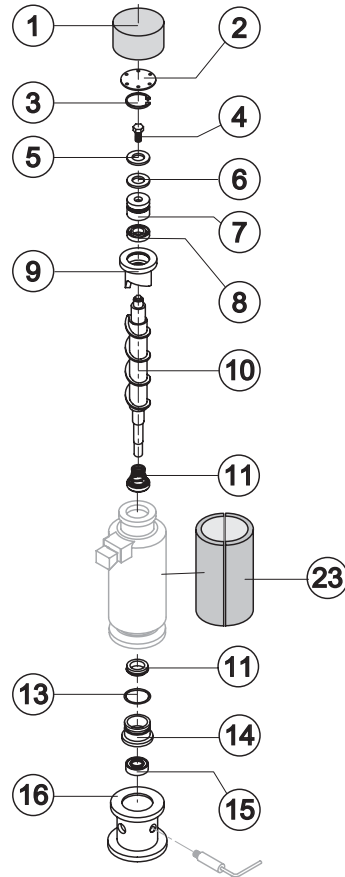


# G 280 HC

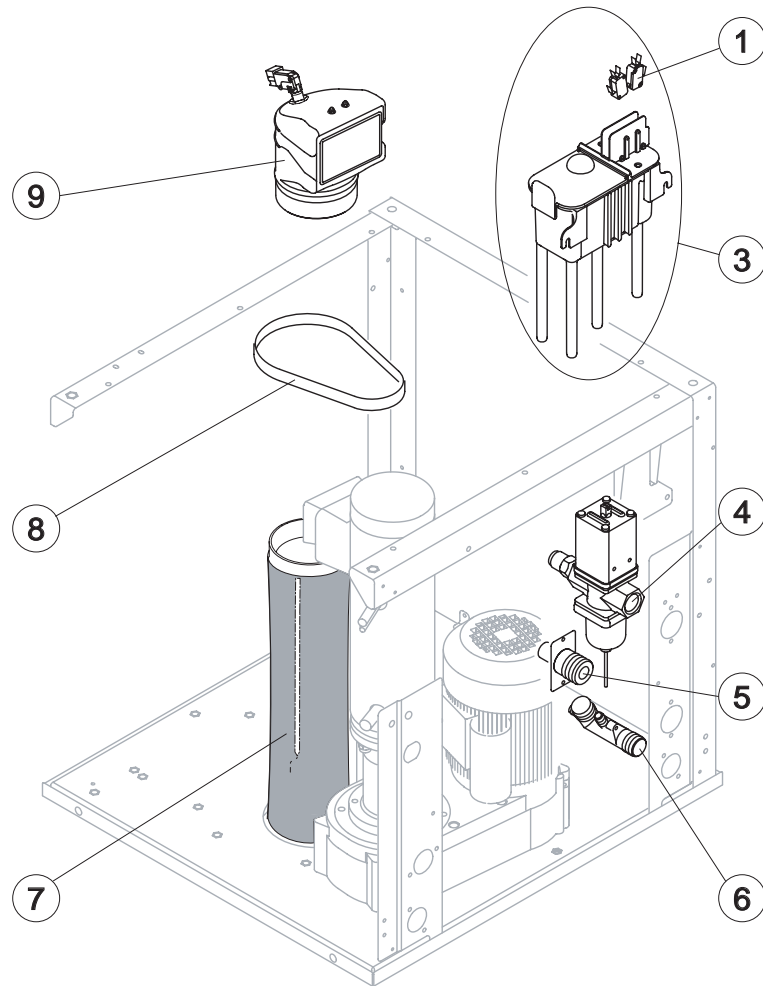
# EVAPORATOR



**C11114**



| Ref. | Spare Description              | Code   |
|------|--------------------------------|--------|
| 1    | Insulating Cap                 | 18167  |
| 2    | Closing Disk                   | 22649  |
| 3    | Seeger                         | 20116  |
| 4    | Stainless Steel Screw          | 20664  |
| 5    | Shimming Disk                  | 22829  |
| 6    | Self-Lubricating Disk          | 20639  |
| 7    | Stainless Steel Thrust Bearing | 20685  |
| 8    | OR Gasket 4137                 | 20689  |
| 9    | Ice Breaker                    | 201233 |
| 10   | Auger                          | 20684  |
| 11   | Ceramic Seal                   | 20633  |
| 13   | OR Gasket 3218 NBR             | 20655  |
| 14   | Reduction Ring                 | 20659  |
| 15   | Stainless Steel Bearing        | 20112  |
| 16   | Flange                         | 20644  |
| 18   | Semi-Joint Upper               | D20654 |
| 19   | Vibration-Damping Elastomer    | 20494  |
| 20   | Semi-Joint Lower               | D20493 |
| 22   | Evaporator Assy                | C11114 |
| 23   | Insulating Cap                 | 18182  |



### Common Parts

| Ref. | Spare Description                    | Code   |
|------|--------------------------------------|--------|
| 1    | Microswitch                          | 23055  |
| 3*   | Double Switch Basin Assembly         | C10685 |
| 6    | Discharges Manifold                  | 10579  |
| 7    | Ice Outlet Pipe with Bin Bulb Holder | C10656 |
| 8    | Locking Exhaust Strip                | 25049  |
| 9*   | Ice Exhaust with micro Assy          | C10585 |

### Parts for Water-Cooled Version Only

| Ref. | Spare Description               | Code   |
|------|---------------------------------|--------|
| 4    | Water regulating valve assembly | R20210 |
| 5    | Drain manifold                  | 20984  |



### Common Parts

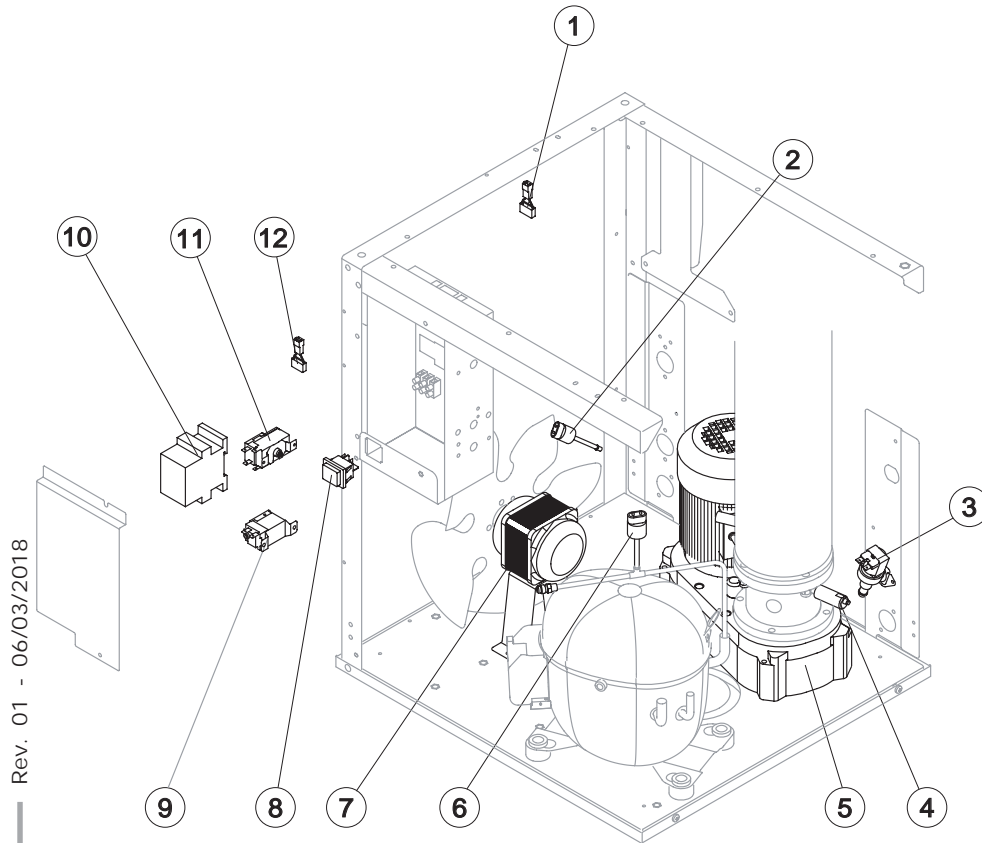
| Ref. | Spare Description              | Code    |
|------|--------------------------------|---------|
| 1    | Anti Radio Interference Filter | C23457  |
| 2    | Safety Pressure-Switch (H.P.)  | 231142  |
| 3*   | 1 Way- Water Inlet Valve       | 23115   |
| 4    | Rotation Sensor                | R231028 |
| 5    | Gearmotor                      | 231030  |
| 6    | Low Pressure Safety Switch     | 231124  |
| 8*   | Green Light Switch (On-Off)    | 23327   |
| 10   | Contacter                      | 23147   |
| 11*  | Bin Thermostat                 | R231035 |

### Parts for Air-Cooled Version Only

| Ref. | Spare Description              | Code   |
|------|--------------------------------|--------|
| 7*   | Fan Motor                      | 23121  |
| 9*   | Fan cycle switch               | 231123 |
| 12   | Anti Radio Interference Filter | C23459 |

### Parts for Water-Cooled Version Only

| Ref. | Spare Description | Code   |
|------|-------------------|--------|
| 7*   | Fan Motor         | 231041 |



Rev. 01 - 06/03/2018