



G 1000

LIST OF THE EXPLODED VIEWS



SHELL ASSY

COOLING SYSTEM from s/n. 518880

COOLING SYSTEM till s/n. 518879

EVAPORATOR

HYDRAULIC CIRCUIT

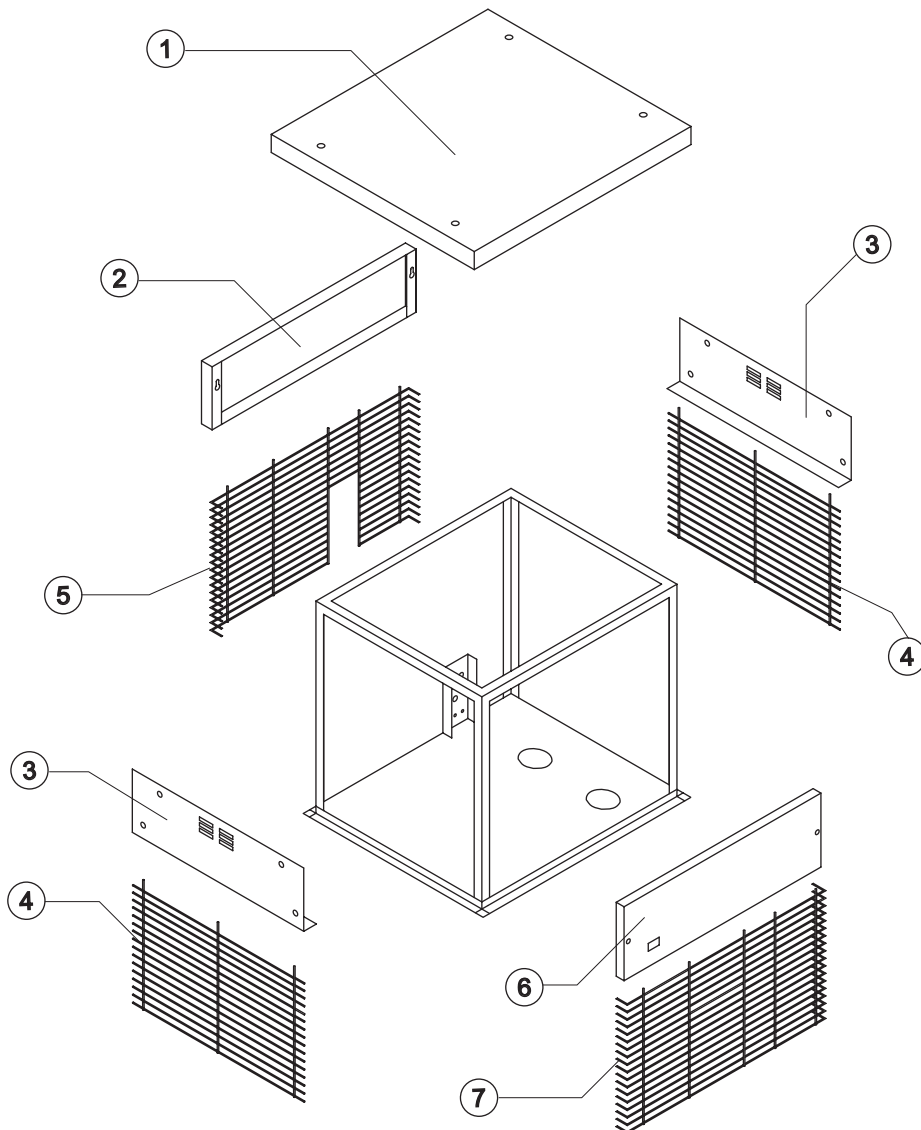
ELECTRIC PARTS

Rev. 11 - 23/06/2011



G 1000

SHELL ASSY



Common Parts

Ref.	Spare Description	Code
1	Top	22681
2	Rear Panel	22684
3	Right/Left Side Panel	221152
4	Side Grid	D12064
5	Rear Grid	D12063
6	Front Panel Assembly	22683
7	Front Grid	D12062

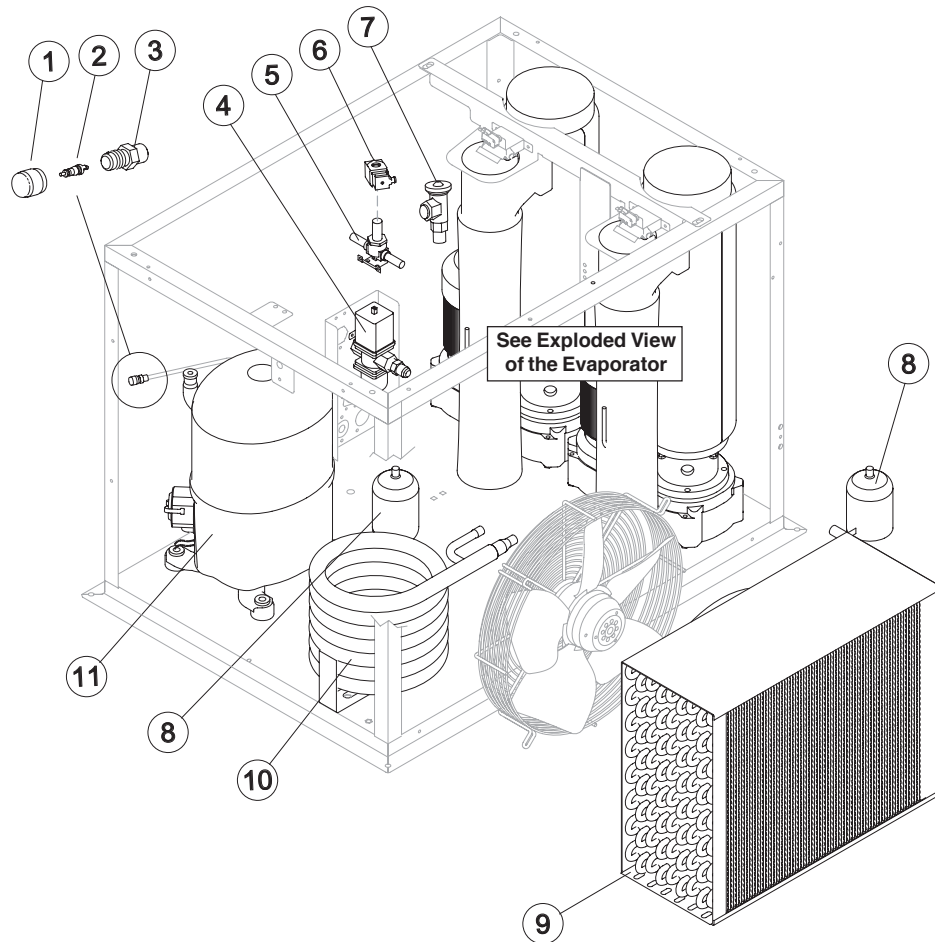
Rev. 11 - 23/06/2011



G 1000

COOLING SYSTEM

from s/n. 518880



Common Parts

Ref.	Spare Description	Code
1	Vacuum-Charge Valve Plug	14006
2	Vacuum-Charge Valve Device	14005
3	Vacuum-Charge Valve Body	14007
5	Hot gas valve body	20409
6	Hota gas valve coil	See Table
7	Expansion valve	20970
8	Liquid Line Drier	14255
11	Compressor	See Table

Parts for Air-Cooled Version Only

Ref.	Spare Description	Code
9	Air Condenser	20396

Parts for Water-Cooled Version Only

Ref.	Spare Description	Code
4	Water Regulating Valve	C20968
10	Water Condenser	14660

Ref. 6 - Hot gas valve coil

Tension	Code
T15	23091
T17	23091
T20	23843

Ref. 4 - Compressor

Tension	Code
T15	23583
T17	23583
T20	23618



G 1000

COOLING SYSTEM till s/n. 518879

Common Parts

Ref.	Spare Description	Code
1	Vacuum-Charge Valve Body	14007
2*	Vacuum-Charge Valve Device	14005
3*	Vacuum-Charge Valve Plug	14006
4	Compressor	See Table
7*	Solid Core Drier	14255

Parts for Air-Cooled Version Only

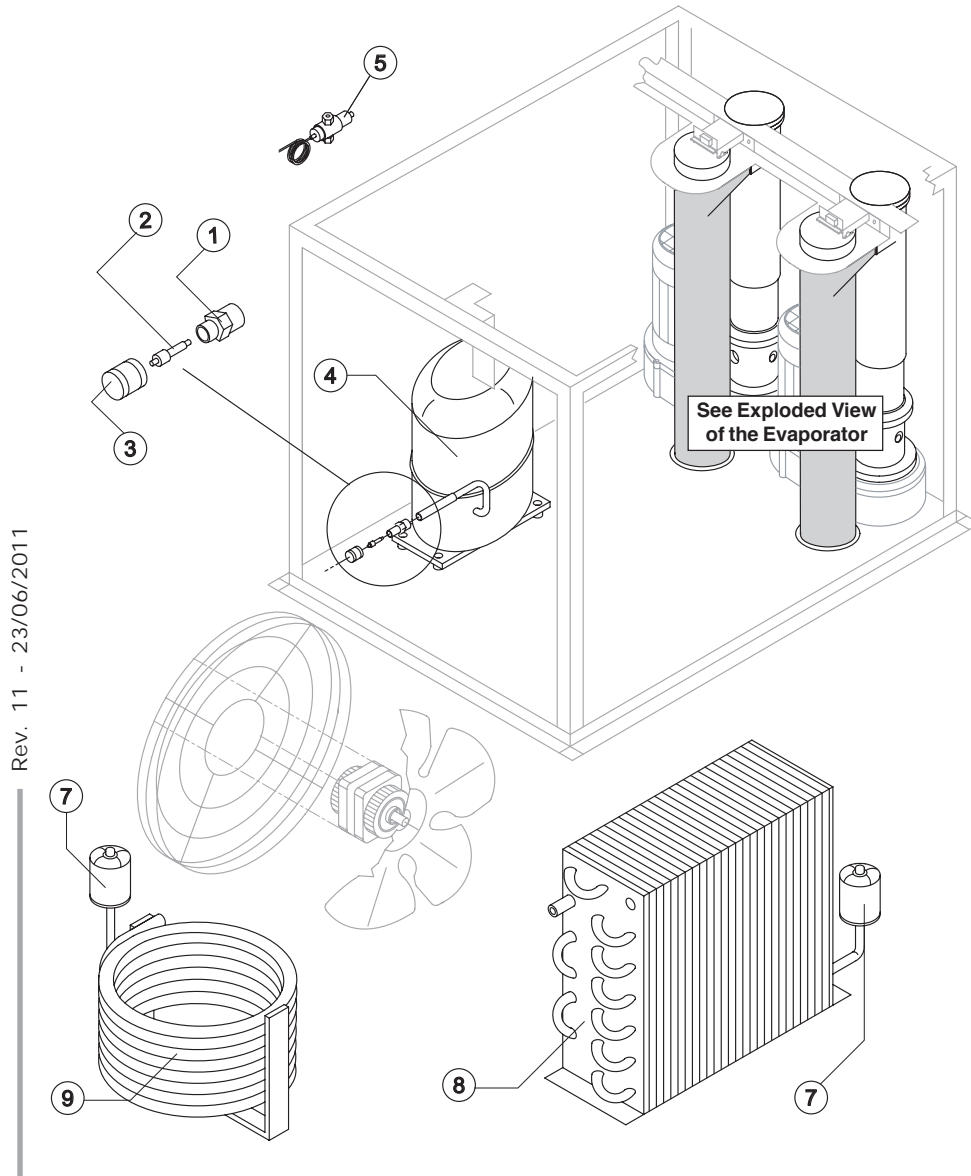
Ref.	Spare Description	Code
8	Air Condenser	20396

Parts for Water-Cooled Version Only

Ref.	Spare Description	Code
5	Pressostatic Valve	20149
9	Water Condenser	14285

Ref. 4 - Compressor

Voltage	Code
T15	23583
T16	23618
T20	23618

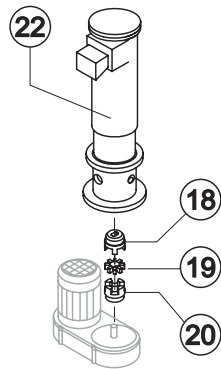


Rev. 11 - 23/06/2011

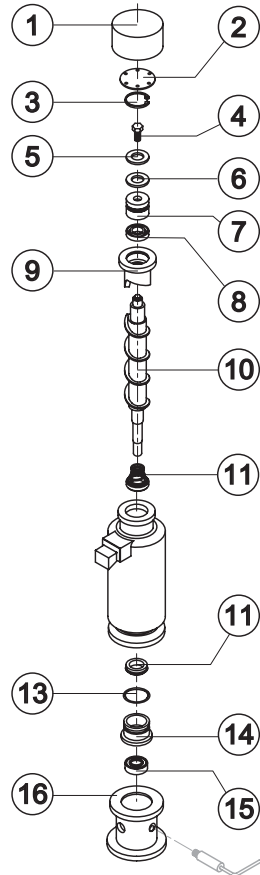


G 1000

EVAPORATOR



C11113.
KITNEVG500
 till s/n.
 230551.



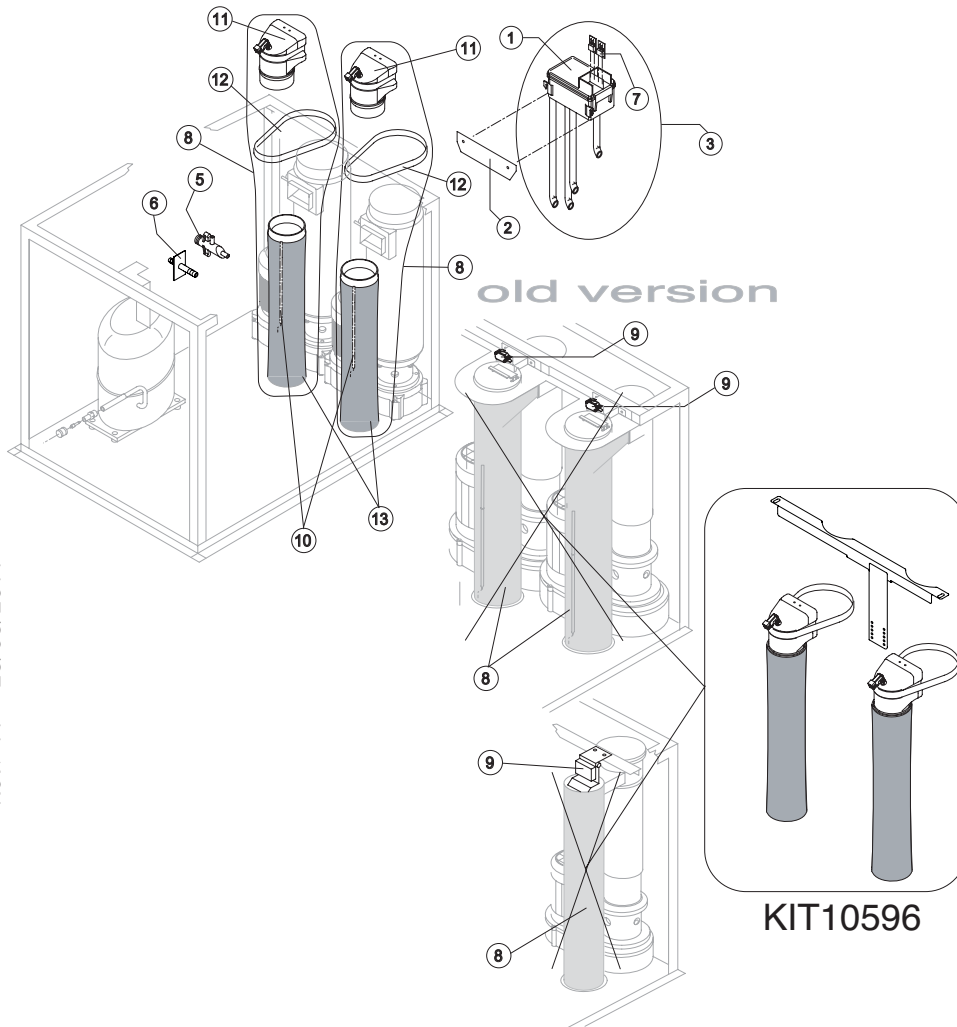
For Complete
Evaporator, order
C11113

Ref.	Spare Description (from s/n. 218278)	Code
1	Insulating Cap	18165
2	Closing Disk	22670
3	Seeger	20116
4	Stainless Steel Screw	20664
5	Shimming Disk	22829
6	Self-Lubricating Disk	20639
7	Stainless Steel Thrust Bearing	20685
8	OR Gasket 4137	20689
9	Ice Breaker	20781
10	Auger	20780
11	Ceramic Seal	20643
13	OR Gasket 4312 NBR	20205
14	Reduction Ring	20647
15	Stainless Steel Bearing	20113
16	Flange	20644
18	Semi-Joint Upper	D20642
19	Vibration-Damping Elastomer	20494
20	Semi-Joint Lower	D20493
22	Evaporator Assy	Current Version C11113
22	Evaporator Assy	Till s/n. 230551 KITNEVG500



G 1000

HYDRAULIC CIRCUIT



For ice makers till s/n. 230551 if you must substitute both ref. 9 and ref. 8 order the KIT10596.

Common Parts

Ref.	Spare Description	Code	
1	Double Switch Basin	10145	
2	Basin Support Plate	21133	
3*	Double Switch Basin Assembly	C10325	
5	Discharges Manifold	10580	
7	Microswitch	23055	
8	Complete Ice Outlet Pipe Assy	Current Version	C10595
8	Complete Ice Outlet Pipe Assy	Till s/n. 498591	KIT10596
9	Bin Level Control Microswitch	From s/n. 230552 till s/n. 498591	23930
9	Bin Level Control Switch	Till s/n. 230551	C22099
10	Bin Bulb holder	20621	
11*	Ice Exhaust Assy with Micro	Current Version	C10585
12	Locking Exhaust Assy	Current Version	25049
13	Ice Outlet Pipe with Bin bulb holder	Currente Version	C10588

Parts for Water-Cooled Version Only

Ref.	Spare Description	Code	
6	Connection with Plate	Current Version	20984
6	Connection with Plate	Till s/n. 518879	C20462



G 1000

ELECTRIC PARTS

Common Parts

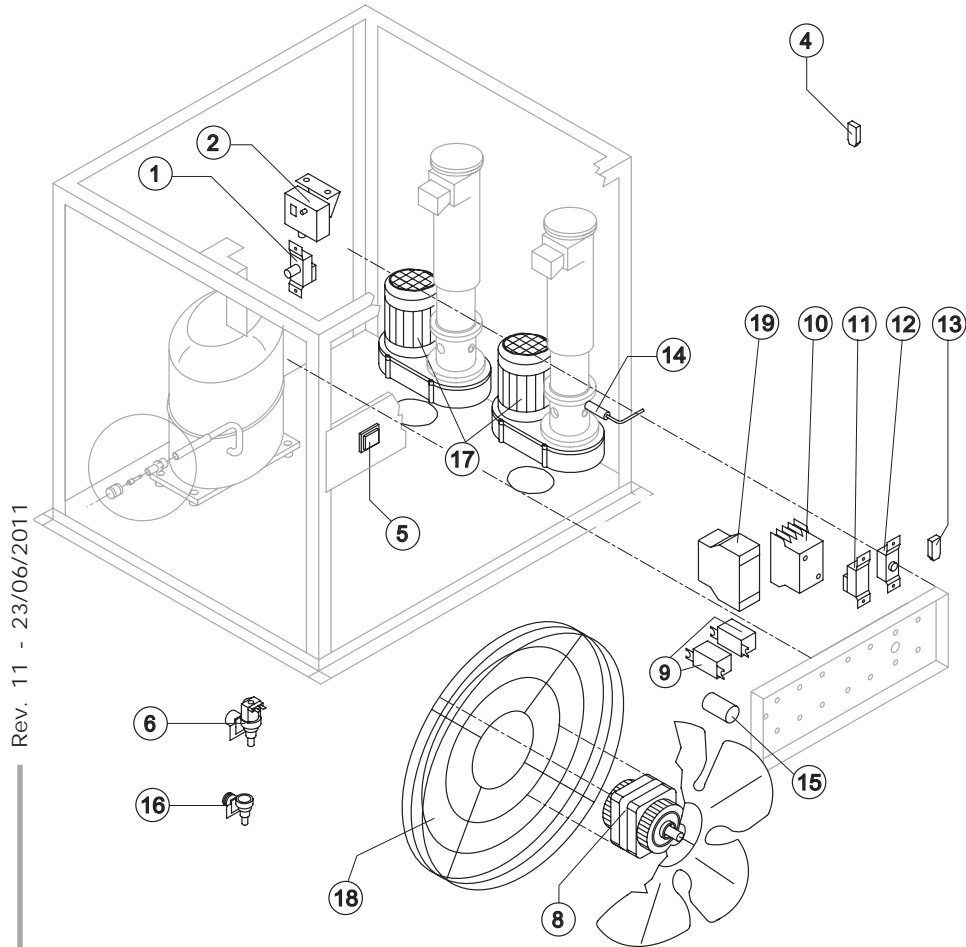
Ref.	Spare Description	Code
1	Safety Pressure-Switch (Maximum Pressure)	23342
2	Safety Pressure-Switch (Minimum Pressure)	Current Version 23763
2	Safety Pressure-Switch (Minimum Pressure)	Till s/n. 275972 K23763
4	Anti Radio Interference Filter	C23457
5*	Green Light Switch (On-Off)	23327
6*	1 Way- Water Inlet Valve	23001
9*	Relay	23190
10*	Contactor	23147
12*	Bin Thermostat	R23421
14*	Rotation Sensor	R23676
17	Gearmotor	See Table
19	Voltage control relay	From s/n. 541088 See Table

Parts for Air-Cooled Version Only

Ref.	Spare Description	Code
8*	Fan Motor	See Table -
11*	Condenser Pressure Switch	See Table -
13	Anti Radio Interference Filter	C23459
15*	Fan Motor Capacitor	See Table -
18	Fan Motor Grid	12053

Parts for Water-Cooled Version Only

Rif.	Descrizione Ricambio	Codice
16	1 Way- Water Inlet Nipple	10239



Rev. 11 - 23/06/2011

Ref. 8* - Fan motor

Voltage	Code
T15	23468
T17	23468
T20	23853

Ref. 9 - Fan Motor Capacitor

Voltage	Code
T15	23469
T17	23469
T20	23939

Ref. 11* - Cond. Pressure Switch

Voltage	Code
T15	23175
T17	23175
T20	23680

Ref. 17 - Gearmotor

Voltage	Code
T15	23638
T17	23638
T20	23853

Ref. 19 - Voltage Control Relay

Voltage	Code
T15	23903
T17	23903
T20	23904