



Self-contained ice maker - Granular system
Daily production up to 175 kg

| | |
|---------------|------------|
| Hotel | ██████████ |
| Restaurant | ██████████ |
| Fast food | ██████████ |
| Bar | ██████████ |
| Disco | ██████████ |
| Fish market | ██████████ |
| Supermarket | ██████████ |
| Medical & SPA | ██████████ |
| Industry | ██████████ |

► **Position n°**

► **Features & Plus**

- Granular ice - 80-82% dry
- 1l (water) - 1kg (ice) - only Air cooled
- AISI 304 SS Scotch Brite finish
- Tropical class +43°C
- Adjustable Stainless Steel feet
- Removable and cleanable air filter
- AISI 304 SS evaporator
- Air or water cooling system
- Easy cleanable internal rounded surfaces
- HCFC-Free insulated storage
- Dust-proof water basin
- RoHS Free
- Disappearing insulated door
- Electromechanical operation
- ON-OFF rocker switch
- Automatic water charge
- Standard and special voltages
- HFC Free



AISI 304 SS Scotch Brite finish



Removable and cleanable air filter



AISI 304 SS evaporator



Dust-proof water basin



Disappearing insulated door

► **Prod. 24h**

| Air temp. | Water temp. | | Kg | Lbs | |
|-----------|-------------|-------|-------|-----|------|
| | 10° C | 50° F | | | 7° C |
| 21° C | 70° F | 15° C | 60° F | 153 | 337 |

► **Certifications available for this model**



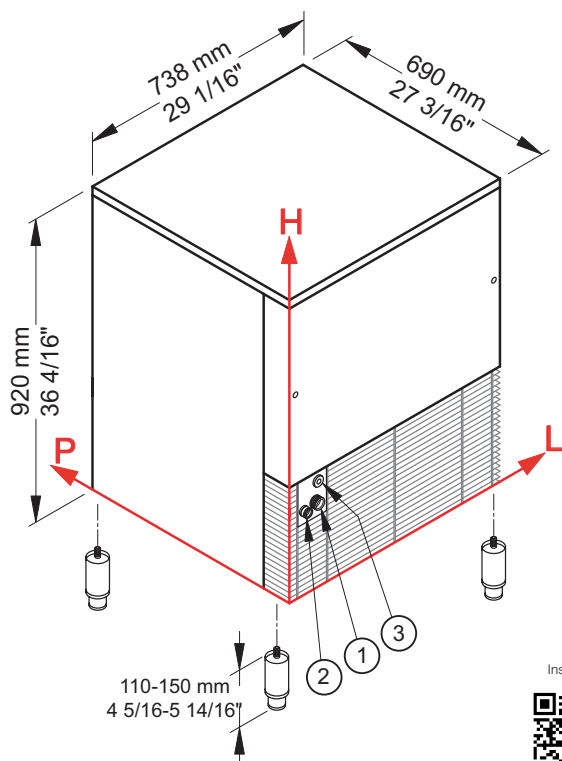


Ice Flakes

GB 1540 HC



Self-contained ice maker - Granular system Daily production up to 175 kg



► Working conditions

- Location: **Indoor**

| | Min | Max |
|----------------------|-----------------|-----------------|
| Ambient temperature | +10° C / +50° F | +43° C / 110° F |
| Water temperature | +3° C / +37° F | +32° C / +90° F |
| Voltage | -10% | +10% |
| Water inlet pressure | 1bar (14 psi) | 6bar (84 psi) |

► Performances

| | Air temperature | Water temperature | Water temperature | | | | |
|--|-----------------|-------------------|-------------------|---------|--------|---------|-------|
| | | | 7° C | 45° F | 15° C | 60° F | 21° C |
| | 10° C | 175 kg | | | | | |
| | 50° F | 386 lbs | | | | | |
| | 21° C | | 153 kg | | | | |
| | 70° F | | | 337 lbs | | | |
| | 32° C | | | | 133 kg | | |
| | 90° F | | | | | 293 lbs | |

► Connections

All measures are referred to the rear bottom-left corner (L-H-Ø)

- ① Water in.: 104 mm / 4 2/16" - 247 mm / 9 12/16" - 3/4" ② Water out.: 53 mm / 2 1/16" - 240 mm / 9 7/16" - 24 mm / 15/16"
 ③ Electrical connections: 92 mm / 3 0/16" - 319 mm / 12 9/16"

► Technical information

| | |
|---------------------------|--|
| Production in 24h | 153 kg / 337 lbs |
| Store capacity, up to | 40 kg / 88 lbs |
| Cooling system | A - W |
| Refrigerant | R290 |
| Standard voltage | 220-240 V ~ 50 Hz |
| Average power consumption | 700 W |
| Fuse | 10 A |
| Electrical consumption | 11 kWh/100kg |
| Finish | AISI 304 stainless steel, scotch brite |

| | |
|----------------------------|--------------------------------|
| Water consumption | A: 1 l/kg - 12,0 gal/100 lbs |
| | W: 7 l/kg - 84 gal/100 lbs |
| Sizes (L-P-H mm) | 738 - 690 - 920 |
| (L-P-H in) | 29 1/16 - 27 3/16 - 36 4/16 |
| Sizes with pack (L-P-H mm) | 780 - 735 - 1085 |
| (L-P-H in) | 30 11/16 - 28 15/16 - 42 11/16 |
| Net weight | 85 kg / 187 lbs |
| Gross weight | 95 kg / 209 lbs |

All the technical information must be considered at the following conditions:

- Sizes without feet
- Ambient temperature +21° C
- Water temperature +15° C
- Electrical consumption at +32° C (standard voltage)
- Average power consumption at +43° C (standard voltage)

Models and specifications are subject to change without notice

Rev. 01 - Issued April 2018



www.bremaice.it
info@bremaice.it

Bim + Data
 download

