

## Modular ice maker up to 145 kg - Vertical evaporator system

Hotel	██
Restaurant	██
Fast food	██
Bar	██
Disco	██
Fish market	██
Supermarket	██
Medical & SPA	██
Industry	██

### ► Position n°



### ► Features & Plus

- Single and crystal cube
- AISI 304 SS Scotch Brite finish
- Tropical class +43°C
- Removable and cleanable air filter
- Air or water cooling system
- Easy cleanable internal rounded surface
- RoHS Free
- Electromechanical operation
- ON-OFF rocker switch
- Automatic washing system
- Standard and special voltages



Single and crystal cube



AISI 304 SS Scotch Brite finish

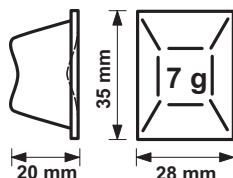


Removable and cleanable air filter

### ► Usable Bins

- Bin 110
- Bin 200
- Bin 240PE

### ► Available ice cube size

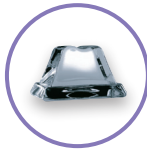


### ► Prod. 24h

Air temp.	Water temp.		Kg	Lbs	
	10° C	50° F			10° C
10° C	50° F	10° C	50° F	145	320
21° C	70° F	15° C	60° F	140	309

### ► Certifications available for this model



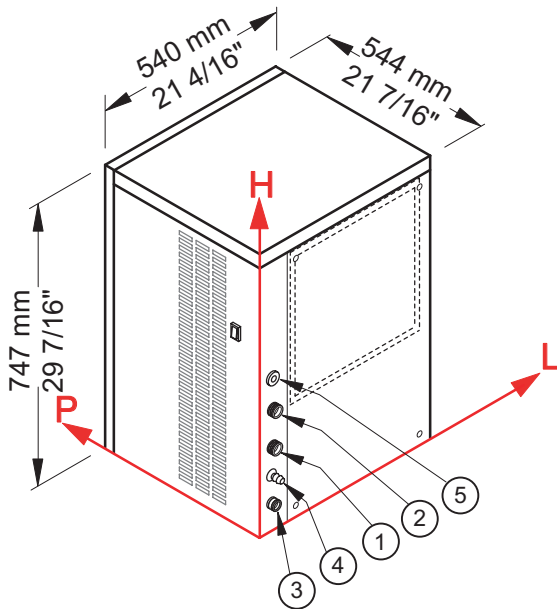


Fast Ice

# VM 350



## Modular ice maker up to 145 kg - Vertical evaporator system



### ► Working conditions

- Location: **Indoor**

	Min	Max
Ambient temperature	+10° C / +50° F	+43° C / 110° F
Water temperature	+3° C / +37° F	+32° C / +90° F
Voltage	-10%	+10%
Water inlet pressure	1bar (14 psi)	6bar (84 psi)

### ► Performances

	Air temperature	Water temperature					
		10° C	50° F	15° C	60° F	21° C	70° F
	10° C	145 kg					
	50° F		320 lbs				
	21° C			140 kg			
	70° F				309 lbs		
	32° C					113 kg	
	90° F						249 lbs

### ► Connections

All measures are referred to the down-left corner (L-H-Ø)

- ① Water in.: 35 mm / 1 6/16" - 173 mm / 6 13/16" - 3/4"
- ② Cond. water in.: 35 mm / 1 6/16" - 268 mm / 10 9/16" - 3/4"
- ③ Water out.: 32 mm / 1 4/16" - 42 mm / 1 10/16" - 24 mm / 15/16"
- ④ Cond. water out.: 28 mm / 1 2/16" - 93 mm / 3 11/16" - 12 mm / 8/16"
- ⑤ Electrical connections: 33 mm / 1 5/16" - 343 mm / 13 8/16"
- ② ④ Only water cooling systems

### ► Technical information

Production in 24h	140 kg / 309 lbs	Water consumption	A: 3 l/kg - 35,9 gal/100 lbs
Cooling system	A - W		W: 13,5 l/kg - 161,8 gal/100 lbs
Kind of cube	7g	Sizes (L-P-H mm)	540 - 544 - 747
Refrigerant	R404A	(L-P-H in)	21 4/16 - 21 7/16 - 29 7/16
Standard voltage	220-240 V ~ 50 Hz	Sizes with pack (L-P-H mm)	580 - 615 - 925
Electrical consumption	1400 W	(L-P-H in)	22 13/16 - 24 3/16 - 36 7/16
Fuse	16 A	Net weight	73 kg / 161 lbs
Finish	AISI 304 stainless steel, scotch brite	Gross weight	83 kg / 183 lbs

All the technical information need to be considered at the following conditions:

- Standard Cube (7 g)
- Ambient temperature +21° C
- Water temperature +15° C
- Electrical consumption at +43° C (standard voltage)

Models and specifications are subject to change without notice



BREMA ICE MAKERS SPA

Via dell'Industria 10,  
20020 Villa Cortese (MI), Italy

tel. +39 0331 434811  
fax +39 0331 433833

[www.bremaice.it](http://www.bremaice.it)  
info@bremaice.it

Bim + Data  
download



Installation



We are Brema

