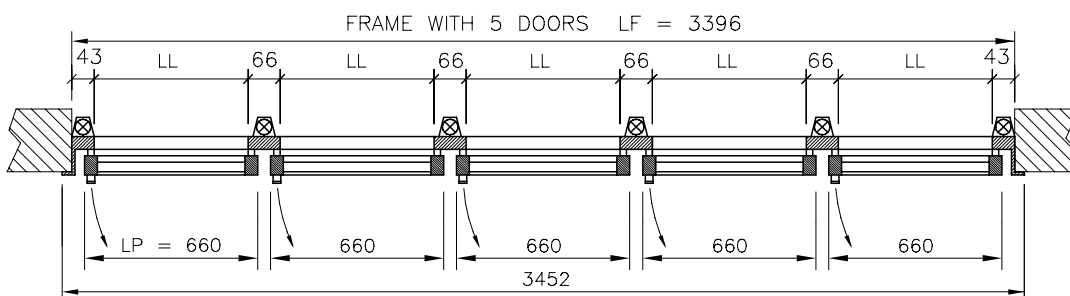
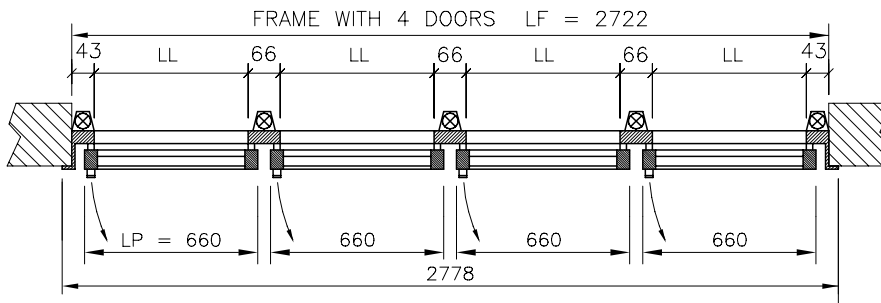
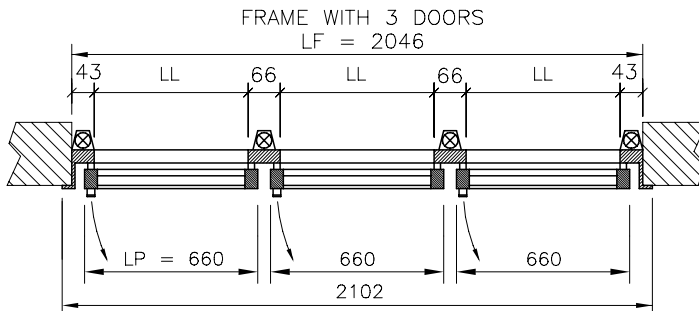
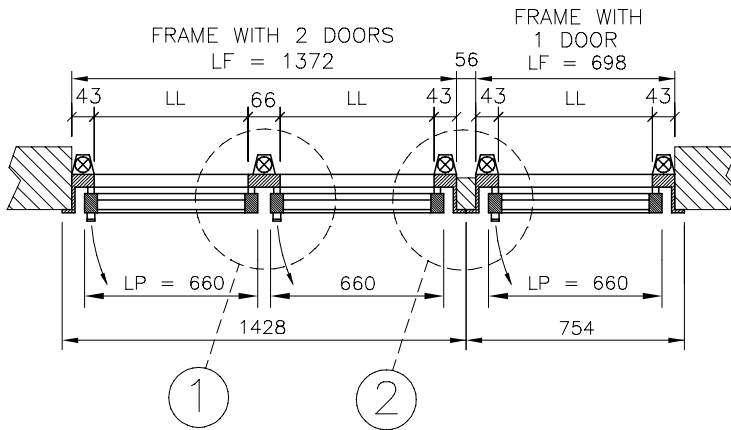
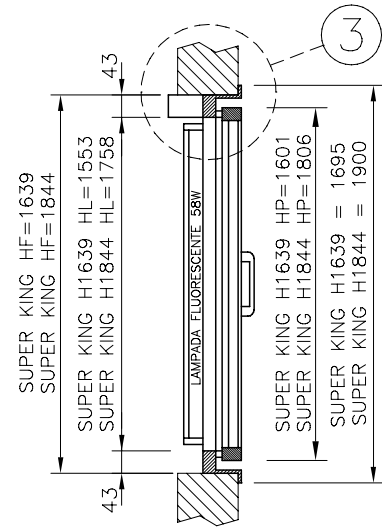
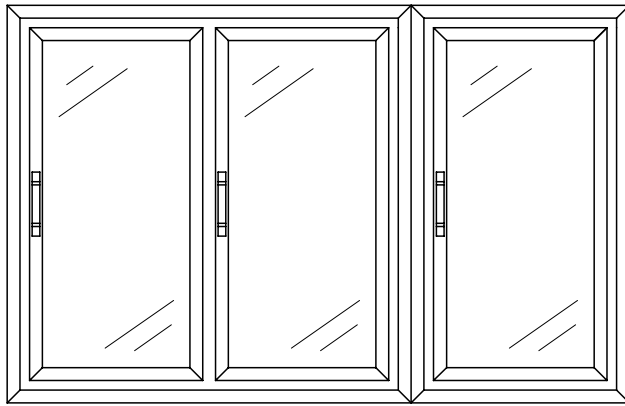


SUPER KING H1639 AND SUPER KING H1844 SIZE



Frames type SUPER KING H1639 for assembling on cold room

NT - NHT *normal temperature*

LT *low temperature*

SIZE				ELECTRICAL SPECIFICATIONS				
Model	Frame Size LF x HF	Pass-Through Opening LL x HL	Door Size LP x HP	Power of NT (1) Version (W)	Power of NHT (2) Version (W)	Power of LT (3) Version (W)	Number of Lamps	Power of Lighting System (W)
FRAME WITH 1 DOOR	698 x 1639	608 x 1553	660 x 1601	60	91	243	2	160
FRAME WITH 2 DOORS	1372 x 1639	608 x 1553		108	170	460	3	240
FRAME WITH 3 DOORS	2046 x 1639	608 x 1553		156	249	677	4	320
FRAME WITH 4 DOORS	2722 x 1639	608 x 1553		204	328	894	5	400
FRAME WITH 5 DOORS	3396 x 1639	608 x 1553		254	409	1112	6	480

Frames type SUPER KING H1844 for assembling on cold room

NT - NHT *normal temperature*

LT *low temperature*

SIZE				ELECTRICAL SPECIFICATIONS				
Model	Frame Size LF x HF	Pass-Through Opening LL x HL	Door Size LP x HP	Power of NT (1) Version (W)	Power of NHT (2) Version (W)	Power of LT (3) Version (W)	Number of Lamps	Power of Lighting System (W)
FRAME WITH 1 DOOR	698 x 1844	608 x 1758	660 x 1806	64	97	263	2	160
FRAME WITH 2 DOORS	1372 x 1844	608 x 1758		115	181	497	3	240
FRAME WITH 3 DOORS	2046 x 1844	608 x 1758		166	265	732	4	320
FRAME WITH 4 DOORS	2722 x 1844	608 x 1758		218	350	966	5	400
FRAME WITH 5 DOORS	3396 x 1844	608 x 1758		269	434	1201	6	480

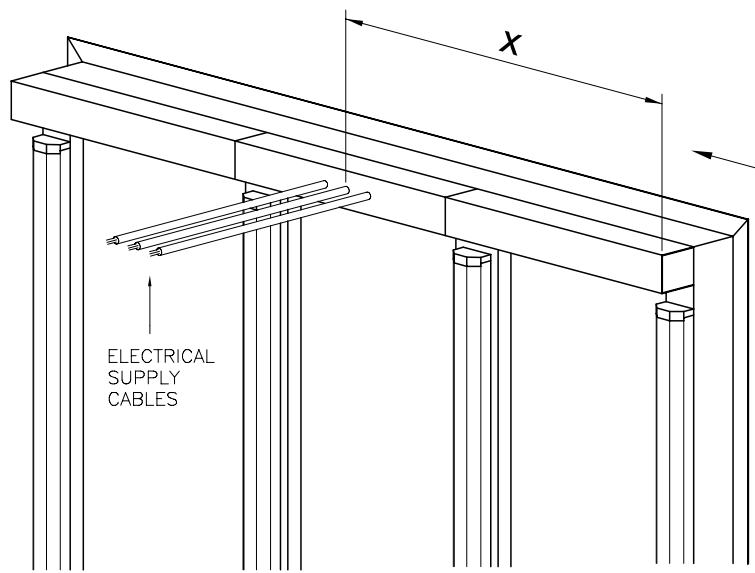
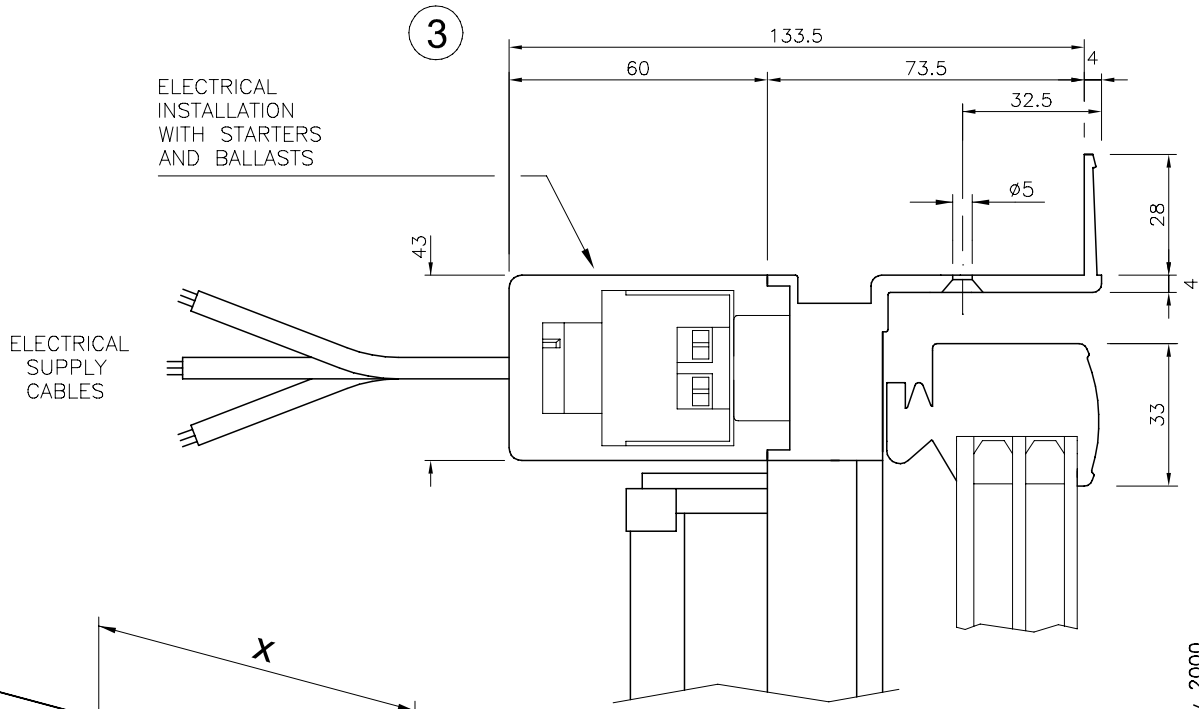
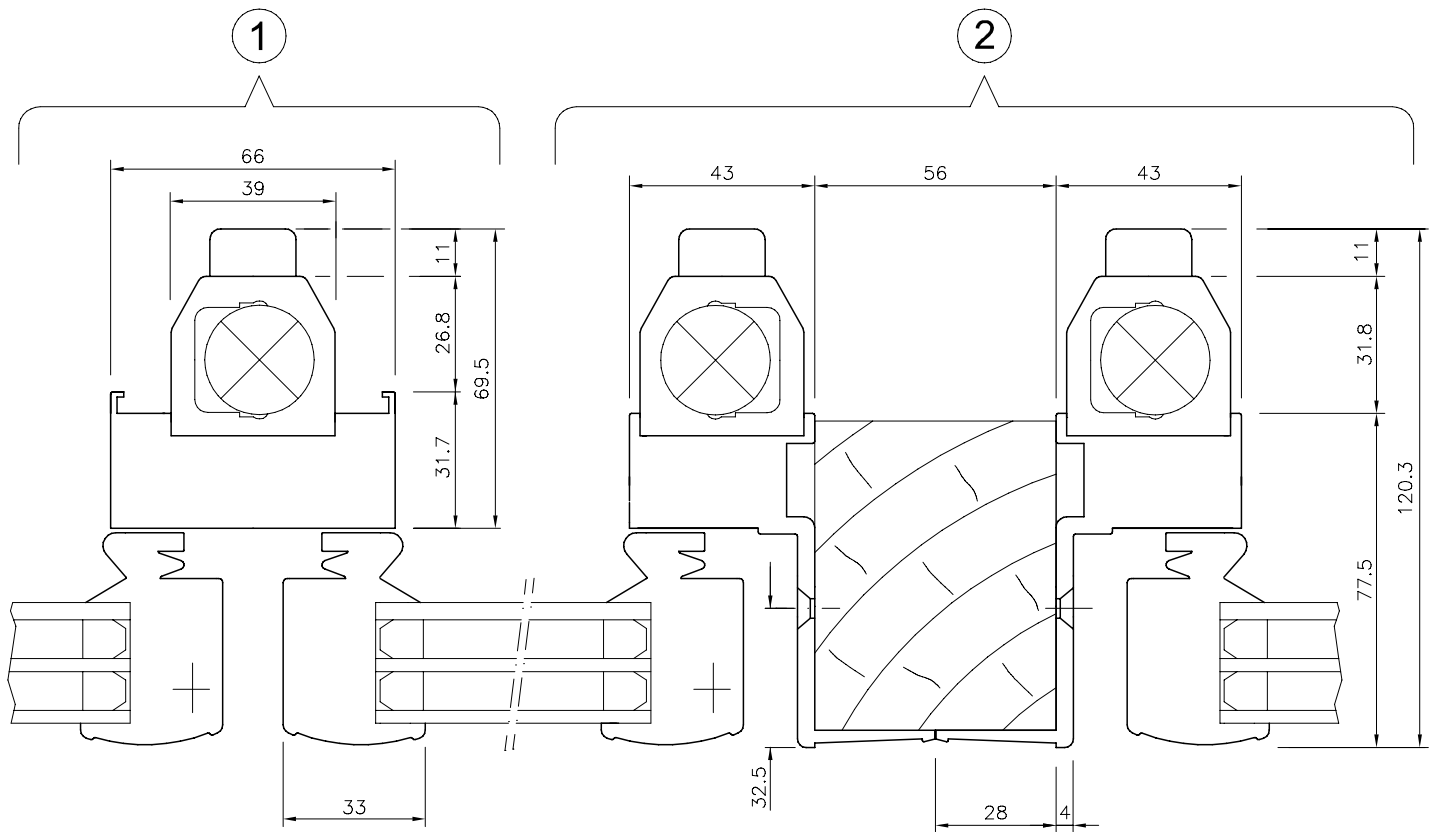
(1) **NT** - heated frame

(2) **NHT** - heated frame - heated door frame

(3) **LT** - heated frame - heated door frame - heated glass

GENERAL CHARACTERISTICS: ALUMINIUM PROFILE CHEMICAL SILVER ANODIZED - DOORS WITH TRIPLE GLASS - FLUORESCENT TUBES OF 58W - CONVENTIONAL BALLASTS OF 230V 50Hz (ON REQUEST FOR DIFFERENT VOLTAGES AND FREQUENCIES).

The company reserves the right to modify these models without notice.



frame with	1 door	X=397
"	2 doors	X=782
"	3 "	X=1171
"	4 "	X=1561
"	5 "	X=1949

CISAPLAST s.r.l.

Via F.lli Polischi, 3 - 46029 SUZZARA (MN) - Italy

Tel. + 39 0376 520102

Fax + 39 0376 536689

E-mail: info@cisaplast.com

<http://www.cisaplast.com>