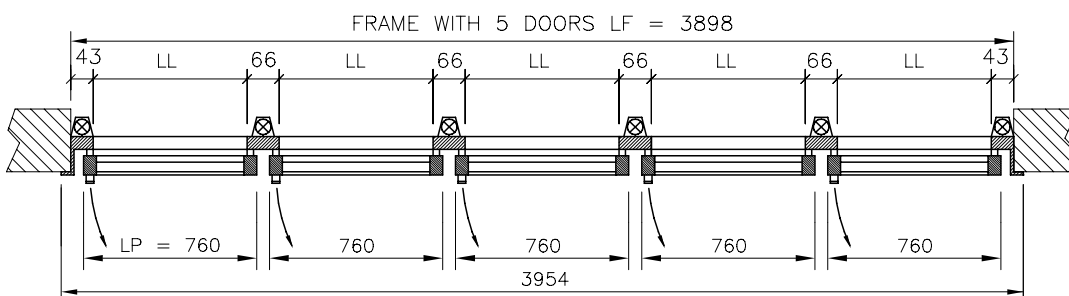
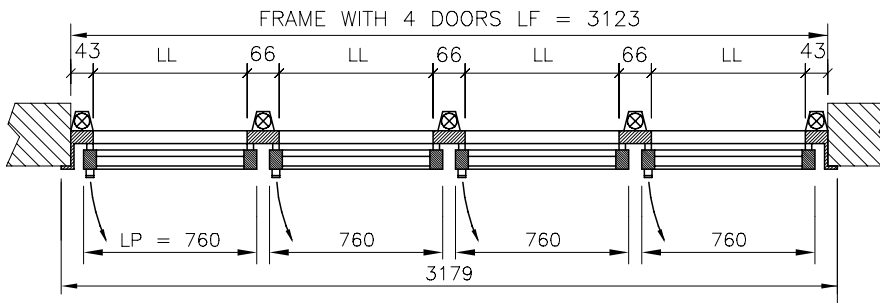
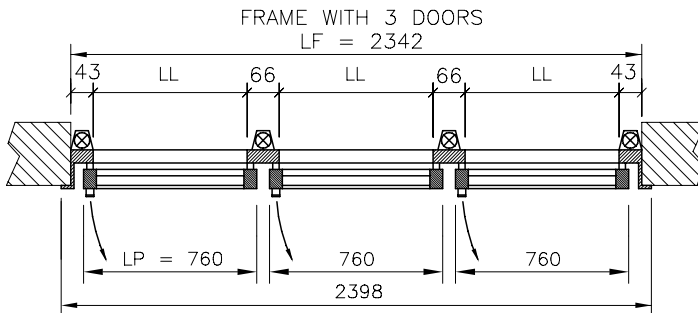
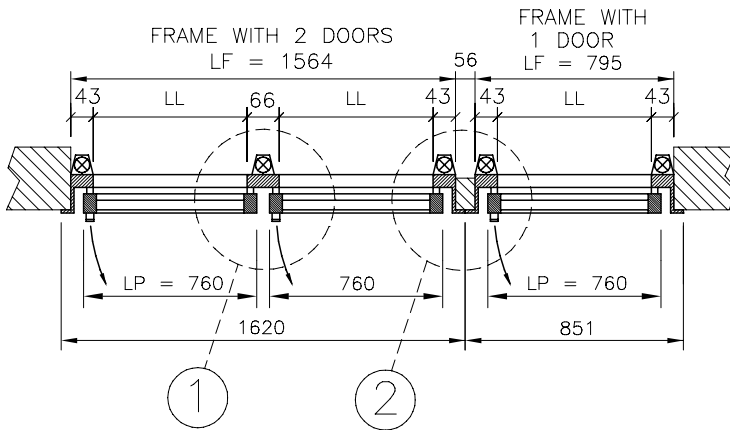
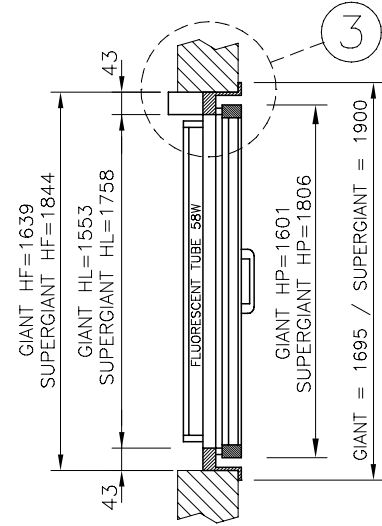
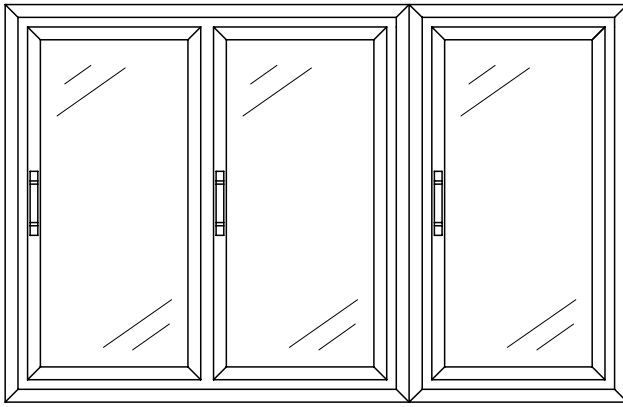


GIANT and SUPERGIANT size



Frames type **GIANT H1639** for assembling on cold room

NT - NHT *normal temperature*

LT *low temperature*

| SIZE | | | | ELECTRICAL SPECIFICATIONS | | | | |
|--------------------|-----------------------|------------------------------------|----------------------|-----------------------------------|------------------------------------|-----------------------------------|--------------------|------------------------------------|
| Model | Frame Size LF x HF | Pass-Through Opening LL x HL | Door Size LP x HP | Power of NT (1) Version (W) | Power of NHT (2) Version (W) | Power of LT (3) Version (W) | Number of Lamps | Power of Lighting System (W) |
| FRAME WITH 1 DOOR | 795 x 1639 | 706 x 1553 | 760 x 1601 | 63 | 95 | 267 | 2 | 160 |
| FRAME WITH 2 DOORS | 1564 x 1639 | 706 x 1553 | | 115 | 179 | 508 | 3 | 240 |
| FRAME WITH 3 DOORS | 2342 x 1639 | 706 x 1553 | | 168 | 264 | 749 | 4 | 320 |
| FRAME WITH 4 DOORS | 3123 x 1639 | 706 x 1553 | | 220 | 348 | 991 | 5 | 400 |
| FRAME WITH 5 DOORS | 3898 x 1639 | 706 x 1553 | | 274 | 434 | 1233 | 6 | 480 |

Frames type **SUPERGIANT H1844** for assembling on cold room

NT - NHT *normal temperature*

LT *low temperature*

| SIZE | | | | ELECTRICAL SPECIFICATIONS | | | | |
|--------------------|-----------------------|------------------------------------|----------------------|-----------------------------------|------------------------------------|-----------------------------------|--------------------|------------------------------------|
| Model | Frame Size LF x HF | Pass-Through Opening LL x HL | Door Size LP x HP | Power of NT (1) Version (W) | Power of NHT (2) Version (W) | Power of LT (3) Version (W) | Number of Lamps | Power of Lighting System (W) |
| FRAME WITH 1 DOOR | 795 x 1844 | 706 x 1758 | 760 x 1806 | 68 | 103 | 282 | 2 | 160 |
| FRAME WITH 2 DOORS | 1564 x 1844 | 706 x 1758 | | 122 | 192 | 535 | 3 | 240 |
| FRAME WITH 3 DOORS | 2342 x 1844 | 706 x 1758 | | 178 | 283 | 789 | 4 | 320 |
| FRAME WITH 4 DOORS | 3123 x 1844 | 706 x 1758 | | 233 | 373 | 1043 | 5 | 400 |
| FRAME WITH 5 DOORS | 3898 x 1844 | 706 x 1758 | | 289 | 464 | 1298 | 6 | 480 |

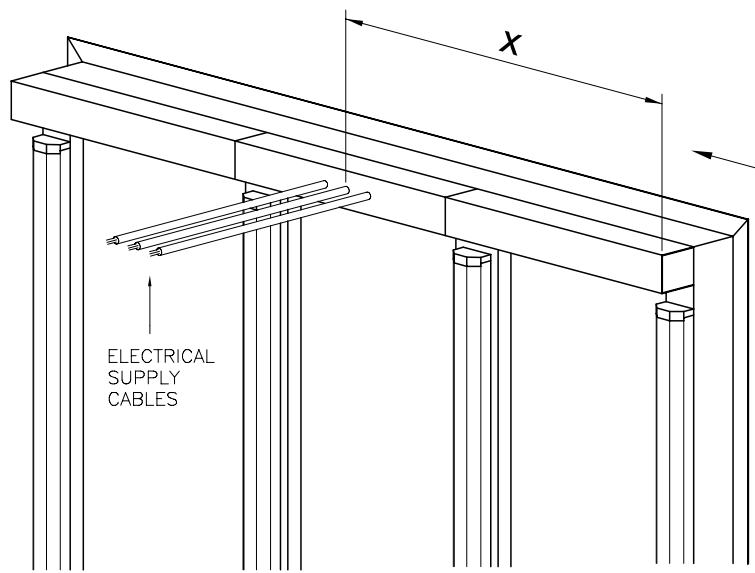
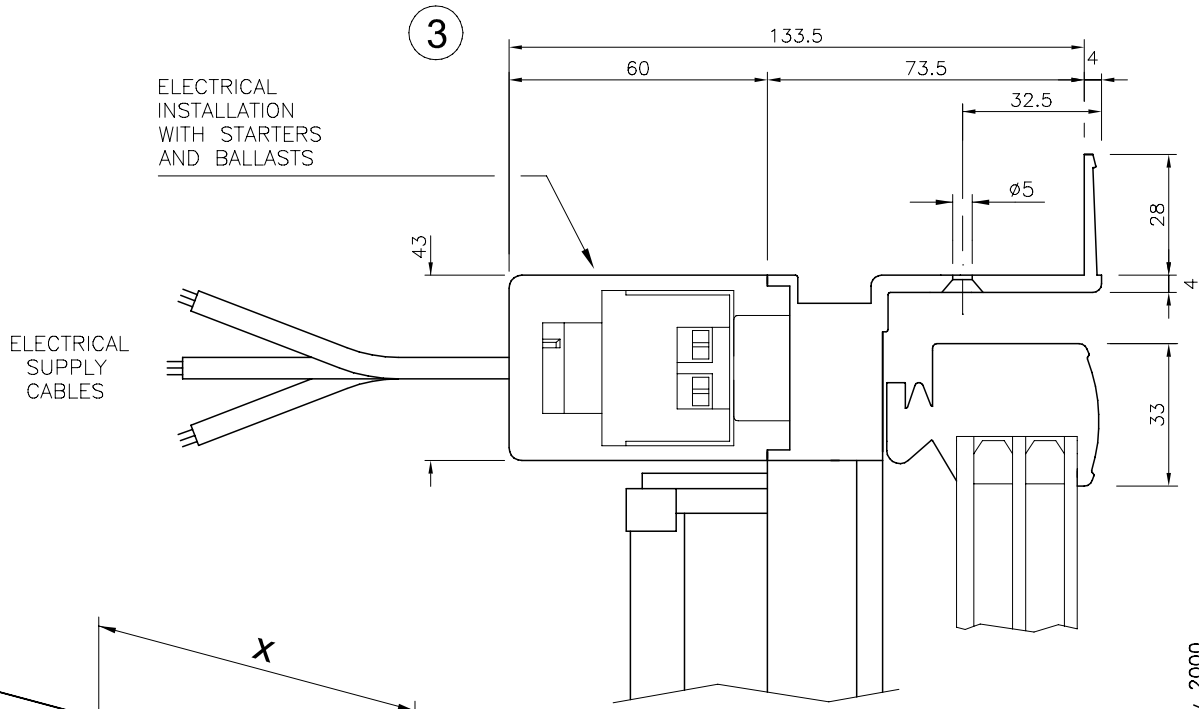
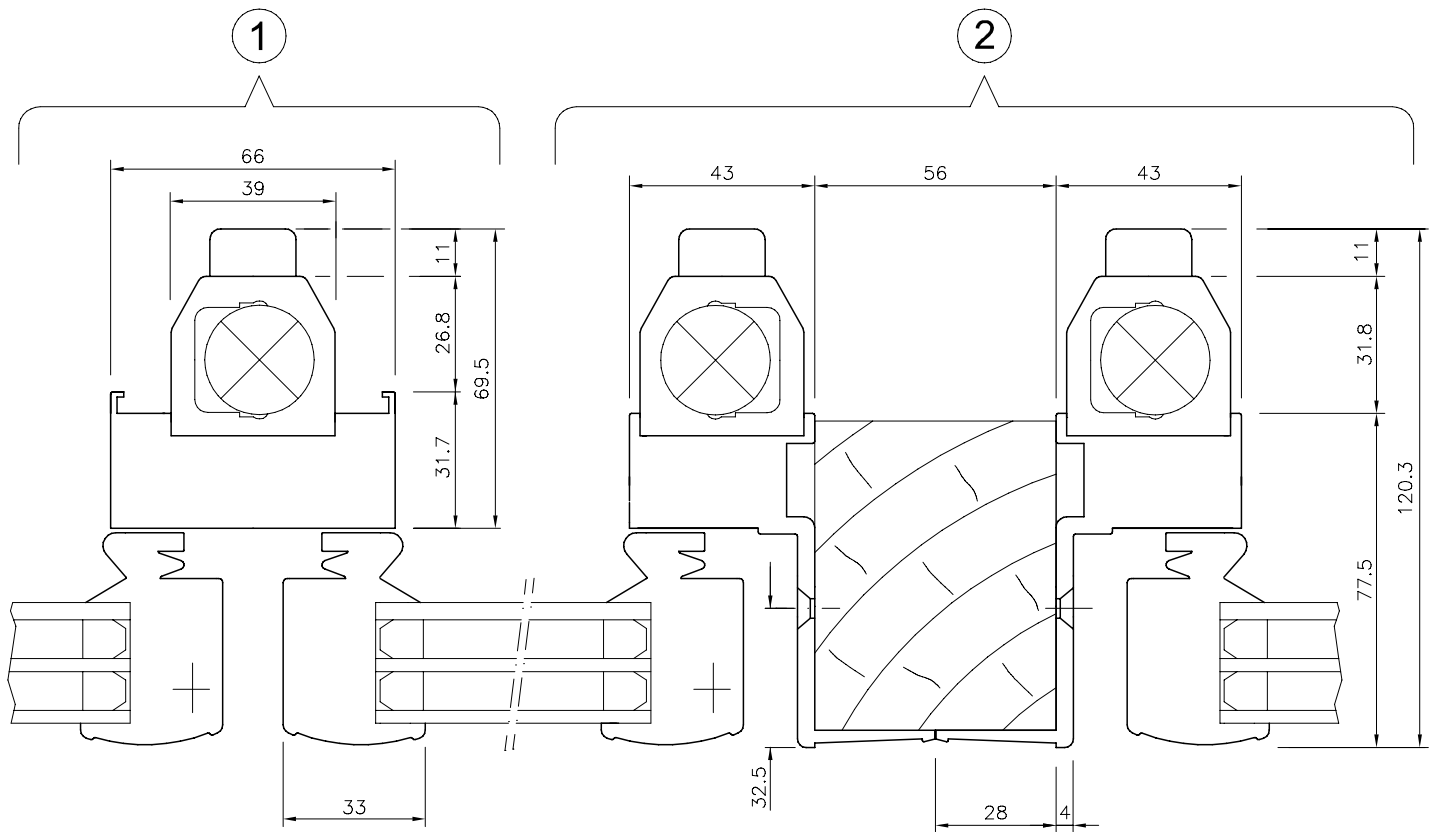
(1) **NT** - heated frame

(2) **NHT** - heated frame - heated door frame

(3) **LT** - heated frame - heated door frame - heated glass

GENERAL CHARACTERISTICS: ALUMINIUM PROFILE CHEMICAL SILVER ANODIZED - DOORS WITH TRIPLE GLASS - FLUORESCENT TUBES OF 58W - CONVENTIONAL BALLASTS OF 230V 50Hz (ON REQUEST FOR DIFFERENT VOLTAGES AND FREQUENCIES).

The company reserves the right to modify these models without notice.



| | | |
|------------|---------|--------|
| frame with | 1 door | X=397 |
| " | 2 doors | X=782 |
| " | 3 " | X=1171 |
| " | 4 " | X=1561 |
| " | 5 " | X=1949 |

CISAPLAST s.r.l.

Via F.lli Polischi, 3 - 46029 SUZZARA (MN) - Italy
 Tel. + 39 0376 520102
 Fax + 39 0376 536689
 E-mail: info@cisaplast.com
 http://www.cisaplast.com