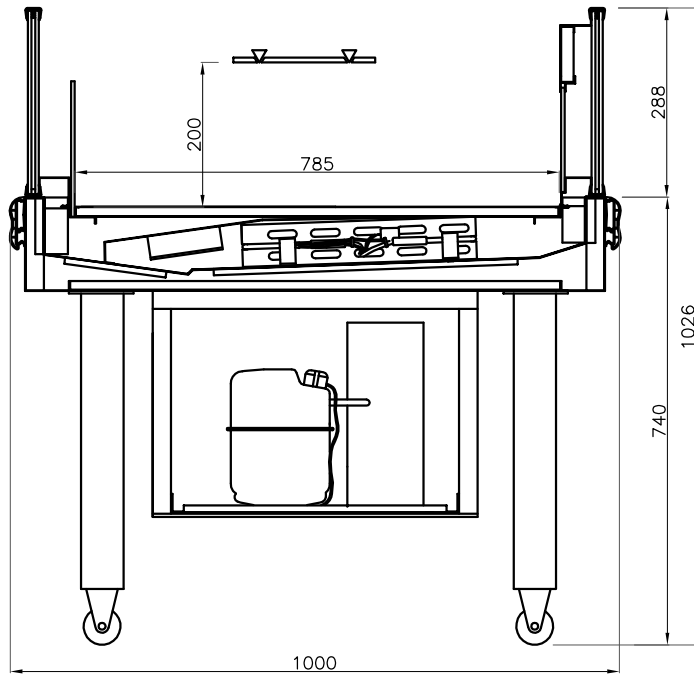


BREDA

M1-1°C/+5°C
+25°C 60/RH



DATI TECNICI-DONNEES TECHNIQUES TECHNICAL DATA-TECNISCHE DATEN		1200
LUNGHEZZA ESTERNA-EXTERNAL LENGTH	mm	1218
COMPRESSORE - AGGREGAT COMPRESSOR - CPMPRESSEUR		NT6217GK
POTENZA FRIGORIFERA - KALORIELEISTUNG REFRIGERANT FLUID - GAZ FRIGORIGENE	EN 12900 -10°C/+45°C W	890
FLUIDO REFRIGERANTE - KALTEMITTEL REFRIGERANT FLUID - GAZ FRIGORIGENE	R404A kg	0,95
CAPILLARE - CAPILLAIRE CAPILLARY - KAPILLAR	∅ X L(mm)	0.064" X3500
VENTIL.CONDENSATORE - KONDENSATOR VENTILATOR CONDENSER FAN - VENTIL.CONDENSATEUR	n° x W	1X55
VENTILATORE EVAPORATORE - VENTILATEUR EVAPORATEUR EVAPORASTOR FAN - VERDAMPFER VENTILATOR	n° x W	2X19
RESISTENZE ANTIAPPANNANTI - RESISTANCE ANTI-BUEES ANTI-MIST HEATERS - HEIZSCHNUR	n° x W	1X30
RESISTENZE EVAPORAZIONEI - RESISTANCE EVAPORATION EAU WATER EVAPORATION HEATER - TAUWASSERDAMPFER HEIZUNG	W	270
TERMOSTATO - THERMOSTAT		ELIWELL 961
POTENZA MAX ASSORBITA - MAX LEISTUNGS VERBRAUCH MAX ABSORBED POWER - MAX PUISSANCE ABSORBEE	230V/1/50hz W	639+270